

Capo Reparto

Panel wing-screen, also suitable as a space partition, with adjustable height and a panel (max suggested dimensions 140x100 cm) which can be oriented vertical as well as horizontal.

The system can be used to close or limit spaces, for communication purposes, as an event backdrop or for adhesive graphics posting.

The system includes a minimum of two vertical elements and four corner supports, suitable to hold a panel 15 mm max thickness. Frame in natural anodized aluminium available with double-face panels in White semi expanded PVC 140x100 cm or with a twin 85x115 cm Plexiglas panels set.

The system allows many different composition options, to meet any space need (C300RE).

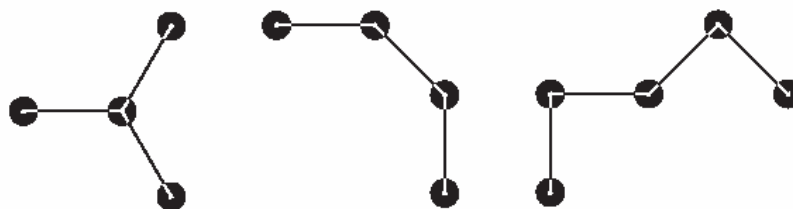
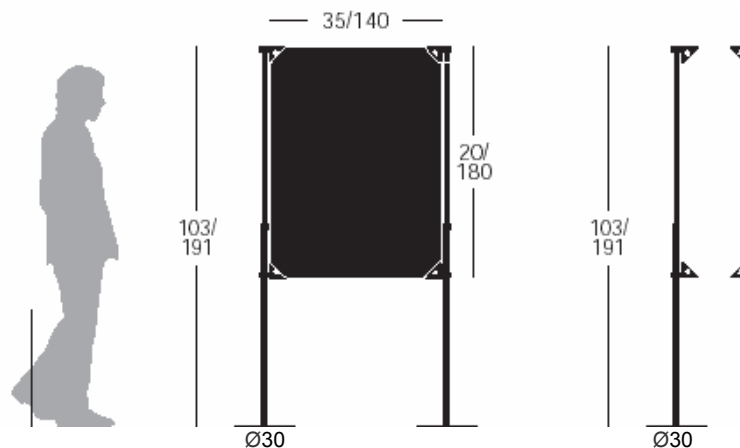


Art. C300CR
Net weight: kg. 18
Packing: 2 pieces

Art. C300RE
Net weight: kg. 9,4
Packing: 1 piece

Art. C600PG
(white panel 100X140)
Net weight: kg. 8
Packing: 1 piece

Art. C600PS panel with plexiglas
Art. C600PP panel with double plexiglas
Art. C600SS only double plexiglas
(panel + Plexiglas 85X115)
Net weight: kg. 7
Packing: 1 piece



Colori:



Delight by Tecnoforma srl
53036 Poggibonsi (SI) Italy
Via Umbria, 2/4
T. ++39 0577 980333
F. ++39 0577 938090
tecnoforma@delight.it
www.delight.it

Showroom
20122 Milano Italy
Via Felice Cavallotti, 15
T. ++39 02 76018061
F. ++39 02 76406579
segismilano@segis.it

Capo Reparto

Cloth wing-screen, also suitable as a space partition, with adjustable height and width.

It can be used to close or limit spaces, for communication purposes or as an event backdrop.

Frame in natural anodized aluminium.

The system includes a minimum of two vertical elements and two telescope horizontal beams, to hold the cloth.

Standard cloth in high quality and fireproof white micro perforated industrial fabric is available in two sizes:

cm 177x h177 (C600TG) and

cm 110x h177 (C600TP).

(Smaller width can be simply achieved

by cutting the fabric with scissors),

material is quality white micro-perforated industrial fabric and fireproof.

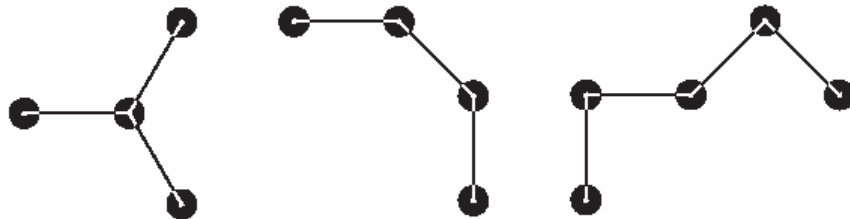
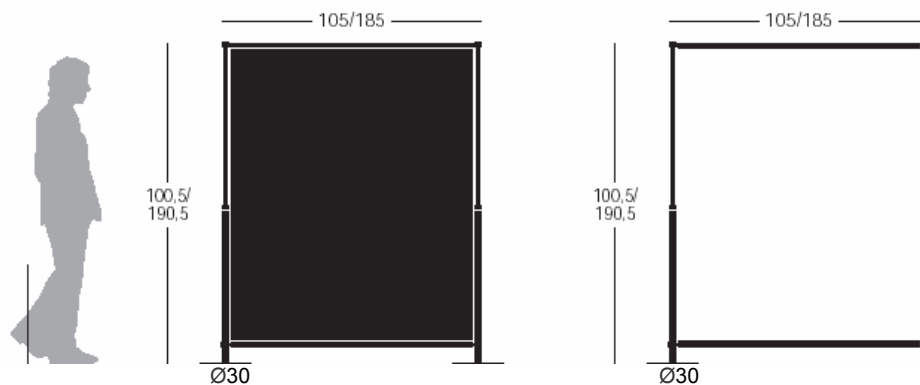
The system allows many different composition options, to meet any space need (C200RE).



Art. C200CR
Net weight: kg. 18,8
Packing: 2 pieces

Art. C200RE
Net weight: kg. 9,8
Packing: 1 piece

Art. C600TG (177x177)
Art. C600TP (110x177)
(woven cloth in technical)
Net weight: kg. 3
Packing: 1 piece



Colours:



Delight by Tecnoforma srl
53036 Poggibonsi (SI) Italy
Via Umbria, 2/4
T. ++39 0577 980333
F. ++39 0577 938090
tecnoforma@delight.it
www.delight.it

Showroom
20122 Milano Italy
Via Felice Cavallotti, 15
T. ++39 02 76018061
F. ++39 02 76406579
segismilano@seis.it