



www.elitespace.com.au

Product Description

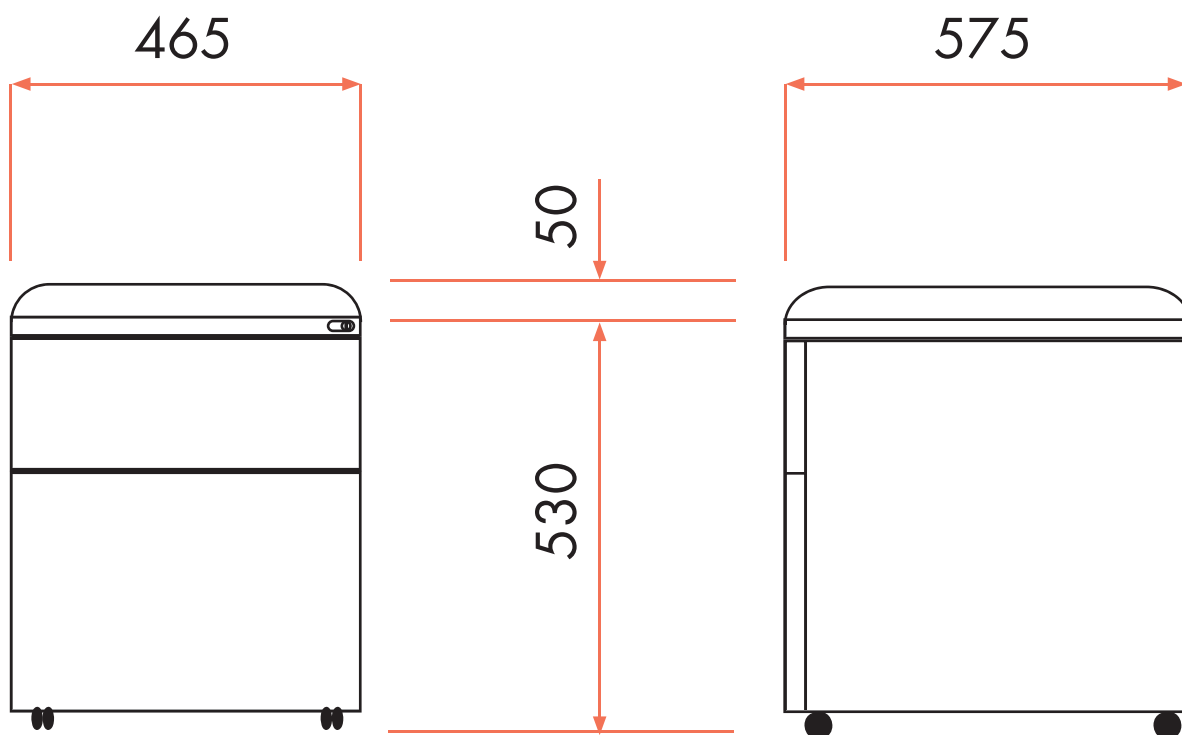
Elite Space has turned the office Mobile Pedestal into a stylish multipurpose unit. It not only stores – it also seats with the option of fitting a comfy cushion top. Wide range of drawer configurations to suit individual storage needs.

Product Features

- All drawers feature ball bearing runners for smooth operation
- Fully welded body provides cabinets with strength and rigidity
- Optional cushion top turns your Mobile Pedestal into a seat
- Uniform lock barrels are removable for common key access across all Elite Space products

| Title Of Piece |

FLUSH with CUSHION | SMFFP



| **Width 465** **Height 530** **Depth 575** |

Cushioned seat, 1 file, 1 personal drawer

Note: Drawing is proportional but not to scale. All written measurements shown are true to actual product dimensions.



www.elitespace.com.au

Product Description

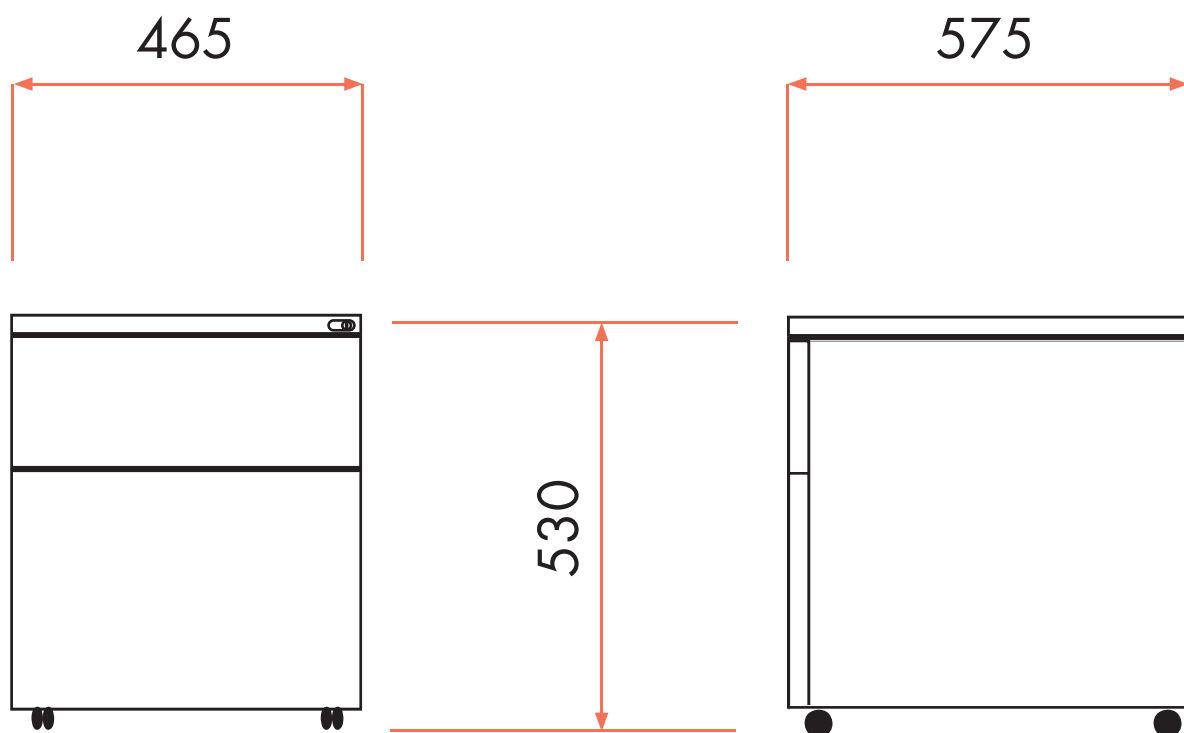
Elite Space has turned the office Mobile Pedestal into a stylish multipurpose unit. It not only stores – it also seats with the option of fitting a comfy cushion top. Wide range of drawer configurations to suit individual storage needs.

Product Features

- All drawers feature ball bearing runners for smooth operation
- Fully welded body provides cabinets with strength and rigidity
- Optional cushion top turns your Mobile Pedestal into a seat
- Uniform lock barrels are removable for common key access across all Elite Space products

| Title Of Piece |

FLUSH | SMFFP



| **Width 465** **Height 530** **Depth 575** |

1 file, 1 personal drawer

Note: Drawing is proportional but not to scale. All written measurements shown are true to actual product dimensions.



www.elitespace.com.au

Product Description

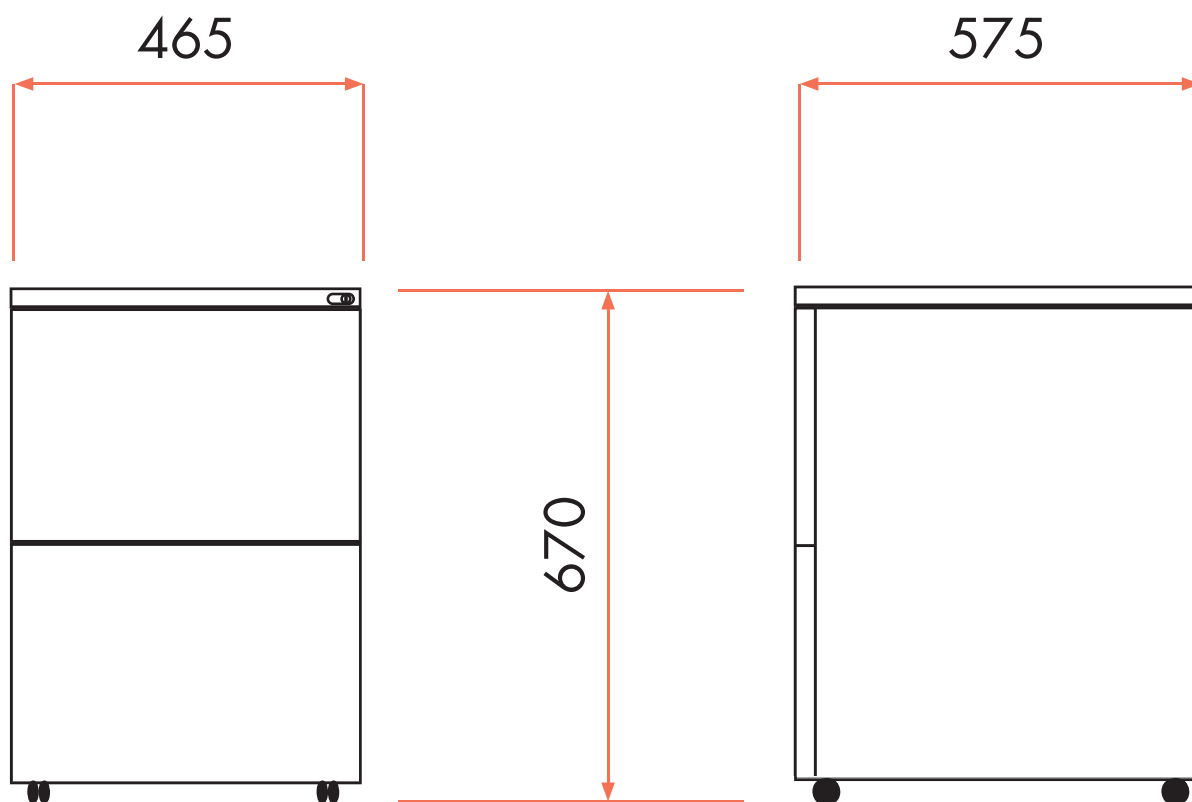
Elite Space has turned the office Mobile Pedestal into a stylish multipurpose unit. It not only stores – it also seats with the option of fitting a comfy cushion top. Wide range of drawer configurations to suit individual storage needs.

Product Features

- All drawers feature ball bearing runners for smooth operation
- Fully welded body provides cabinets with strength and rigidity
- Optional cushion top turns your Mobile Pedestal into a seat
- Uniform lock barrels are removable for common key access across all Elite Space products

| Title Of Piece |

FLUSH | SMF2F



| **Width 465** **Height 670** **Depth 575** |

2 file drawers

Note: Drawing is proportional but not to scale. All written measurements shown are true to actual product dimensions.



www.elitespace.com.au

Product Description

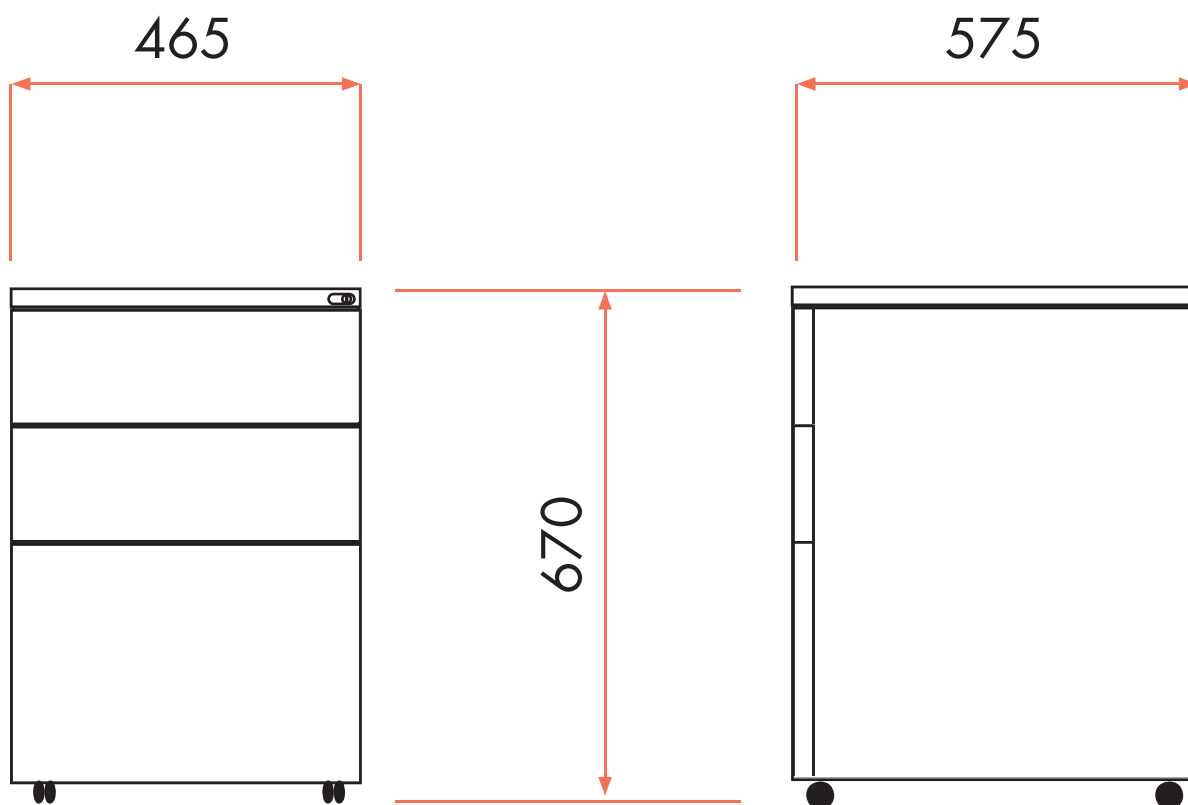
Elite Space has turned the office Mobile Pedestal into a stylish multipurpose unit. It not only stores – it also seats with the option of fitting a comfy cushion top. Wide range of drawer configurations to suit individual storage needs.

Product Features

- All drawers feature ball bearing runners for smooth operation
- Fully welded body provides cabinets with strength and rigidity
- Optional cushion top turns your Mobile Pedestal into a seat
- Uniform lock barrels are removable for common key access across all Elite Space products

| Title Of Piece |

FLUSH | SMFF2P



| **Width 465** **Height 670** **Depth 575** |

1 file, 2 personal drawers

Note: Drawing is proportional but not to scale. All written measurements shown are true to actual product dimensions.



www.elitespace.com.au

Product Description

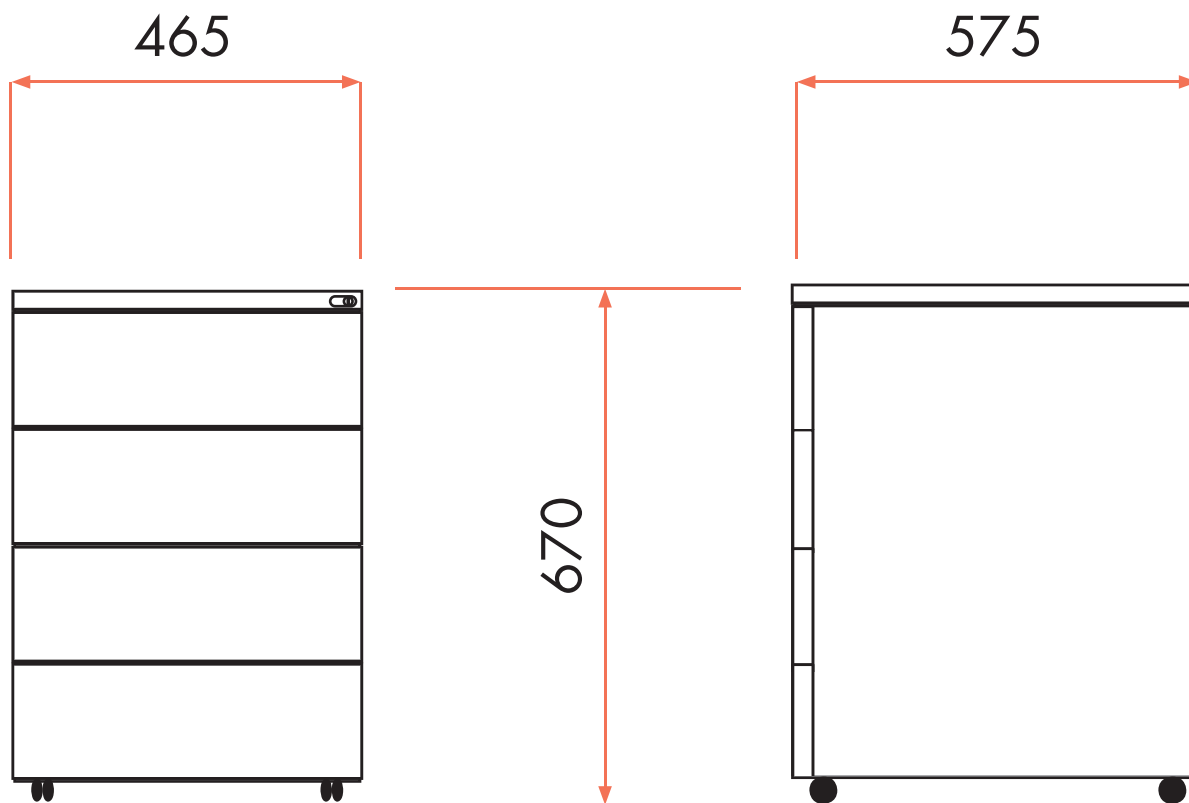
Elite Space has turned the office Mobile Pedestal into a stylish multipurpose unit. It not only stores – it also seats with the option of fitting a comfy cushion top. Wide range of drawer configurations to suit individual storage needs.

Product Features

- All drawers feature ball bearing runners for smooth operation
- Fully welded body provides cabinets with strength and rigidity
- Optional cushion top turns your Mobile Pedestal into a seat
- Uniform lock barrels are removable for common key access across all Elite Space products

| Title Of Piece |

FLUSH | SMF4P



| **Width 465** **Height 670** **Depth 575** |

4 personal drawers

Note: Drawing is proportional but not to scale. All written measurements shown are true to actual product dimensions.



www.elitespace.com.au

Product Description

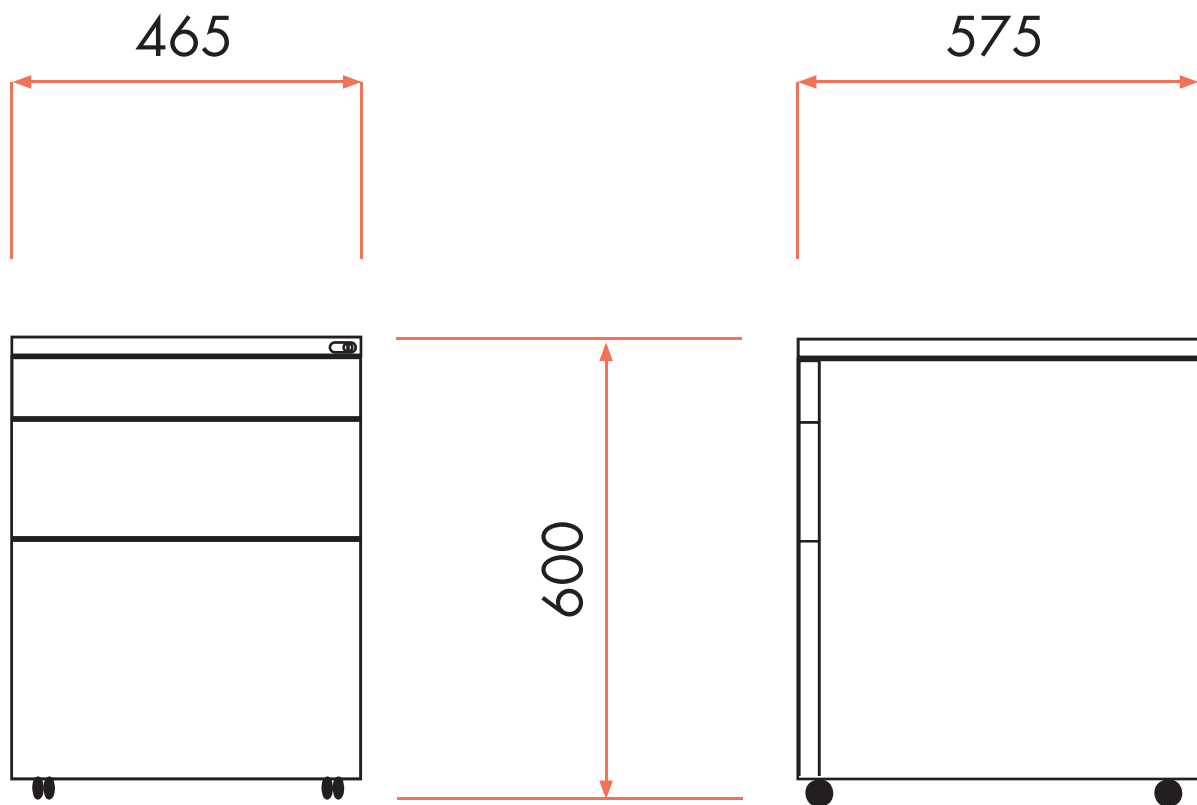
Elite Space has turned the office Mobile Pedestal into a stylish multipurpose unit. It not only stores – it also seats with the option of fitting a comfy cushion top. Wide range of drawer configurations to suit individual storage needs.

Product Features

- All drawers feature ball bearing runners for smooth operation
- Fully welded body provides cabinets with strength and rigidity
- Optional cushion top turns your Mobile Pedestal into a seat
- Uniform lock barrels are removable for common key access across all Elite Space products

| Title Of Piece |

FLUSH | SMFFPU



| **Width 465** **Height 600** **Depth 575** |

1 file, 1 personal, 1 utility drawer

Note: Drawing is proportional but not to scale. All written measurements shown are true to actual product dimensions.