



Product Description

Elite Space tambour Door Cupboards are both a practical and stylish storage solution.

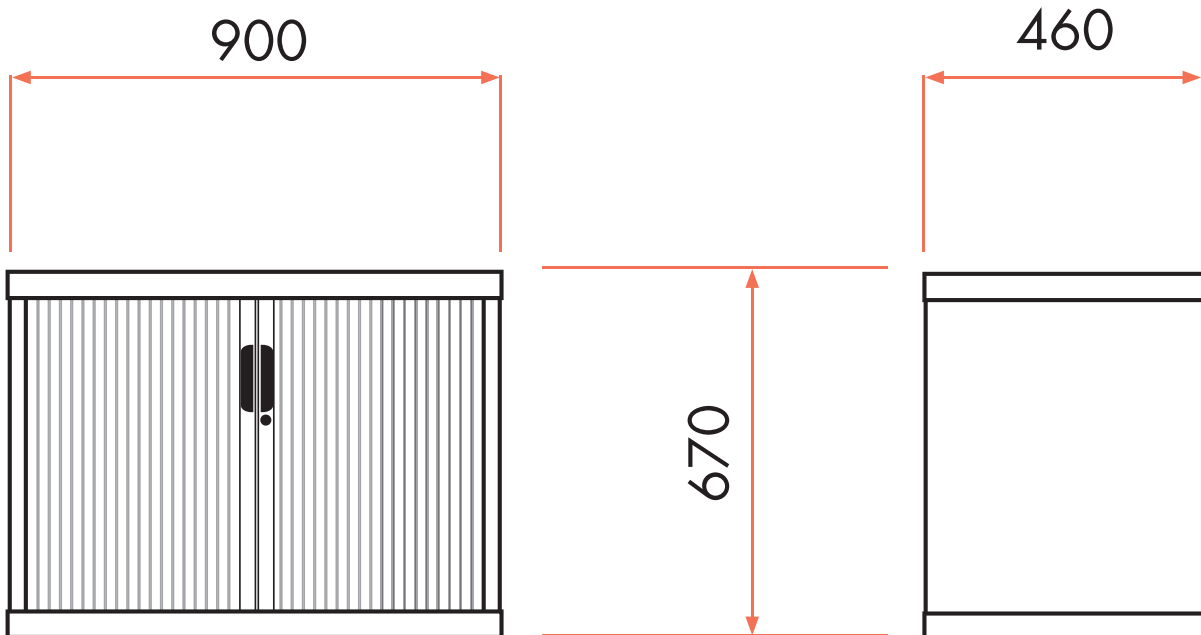
Product Features

- Fully welded body provides strength and rigidity
- Complete range of internal accessories available to cater for all your filing needs
- Choose from a variety of environmentally conscious door materials - from solid colour and translucent synthetic slats to powder coated aluminium
- Standard adjustable feet compensate for uneven floor surfaces or fit castors to go mobile*
- Standard heights to match with Lateral Filing and Receding Door cabinets
- Removable lock barrels for common key access across all Elite Space products

* Castors available for cabinets to maximum height of 1200 / add 85mm to the overall height of the unit.

| Title Of Piece |

TWO LEVELS | ST92



| Width **900** Height **670** Depth **460** |

Note: Drawing is proportional but not to scale. All written measurements shown are true to actual product dimensions.



Product Description

Elite Space tambour Door Cupboards are both a practical and stylish storage solution.

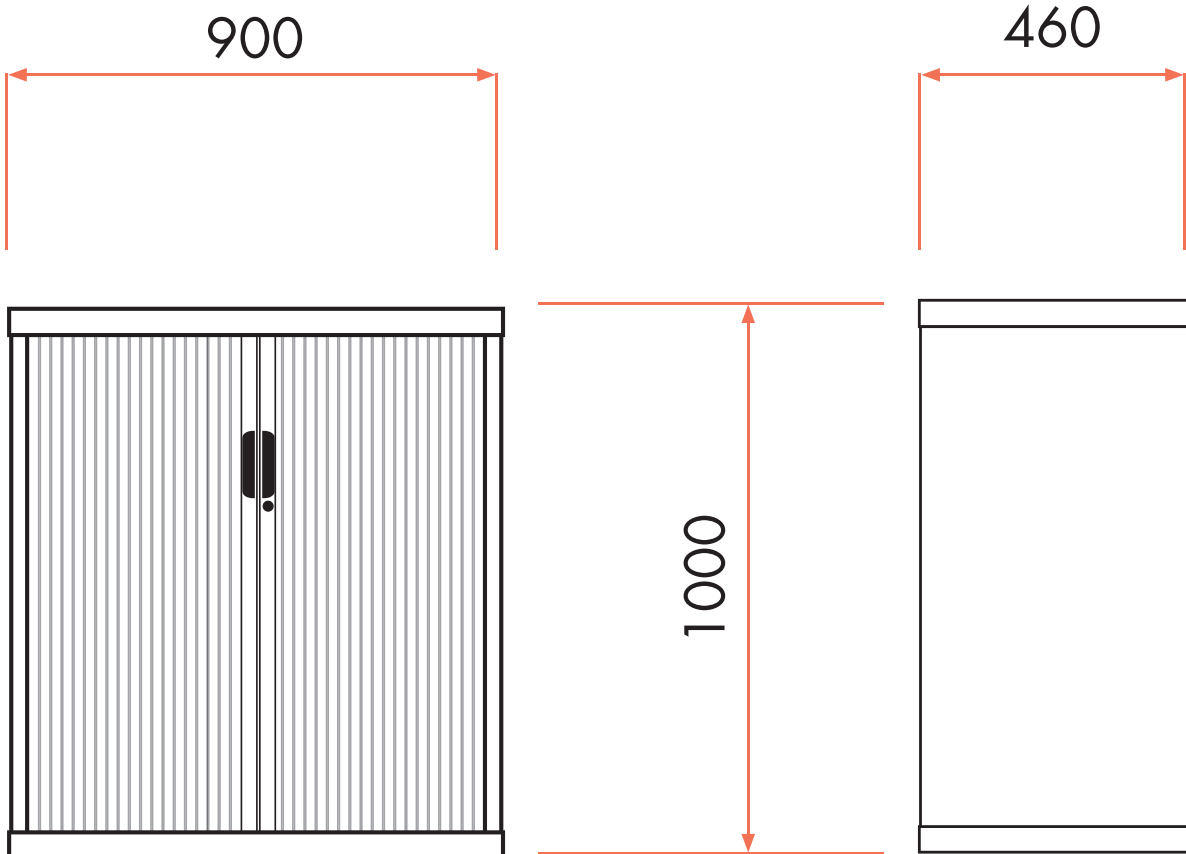
Product Features

- Fully welded body provides strength and rigidity
- Complete range of internal accessories available to cater for all your filing needs
- Choose from a variety of environmentally conscious door materials - from solid colour and translucent synthetic slats to powder coated aluminium
- Standard adjustable feet compensate for uneven floor surfaces or fit castors to go mobile*
- Standard heights to match with Lateral Filing and Receding Door cabinets
- Removable lock barrels for common key access across all Elite Space products

* Castors available for cabinets to maximum height of 1200 / add 85mm to the overall height of the unit.

| Title Of Piece |

THREE LEVELS | ST93



| **Width 900** **Height 1000** **Depth 460** |

Note: Drawing is proportional but not to scale. All written measurements shown are true to actual product dimensions.



www.elitespace.com.au

| Title Of Piece |

THREE LEVELS | ST93_1200

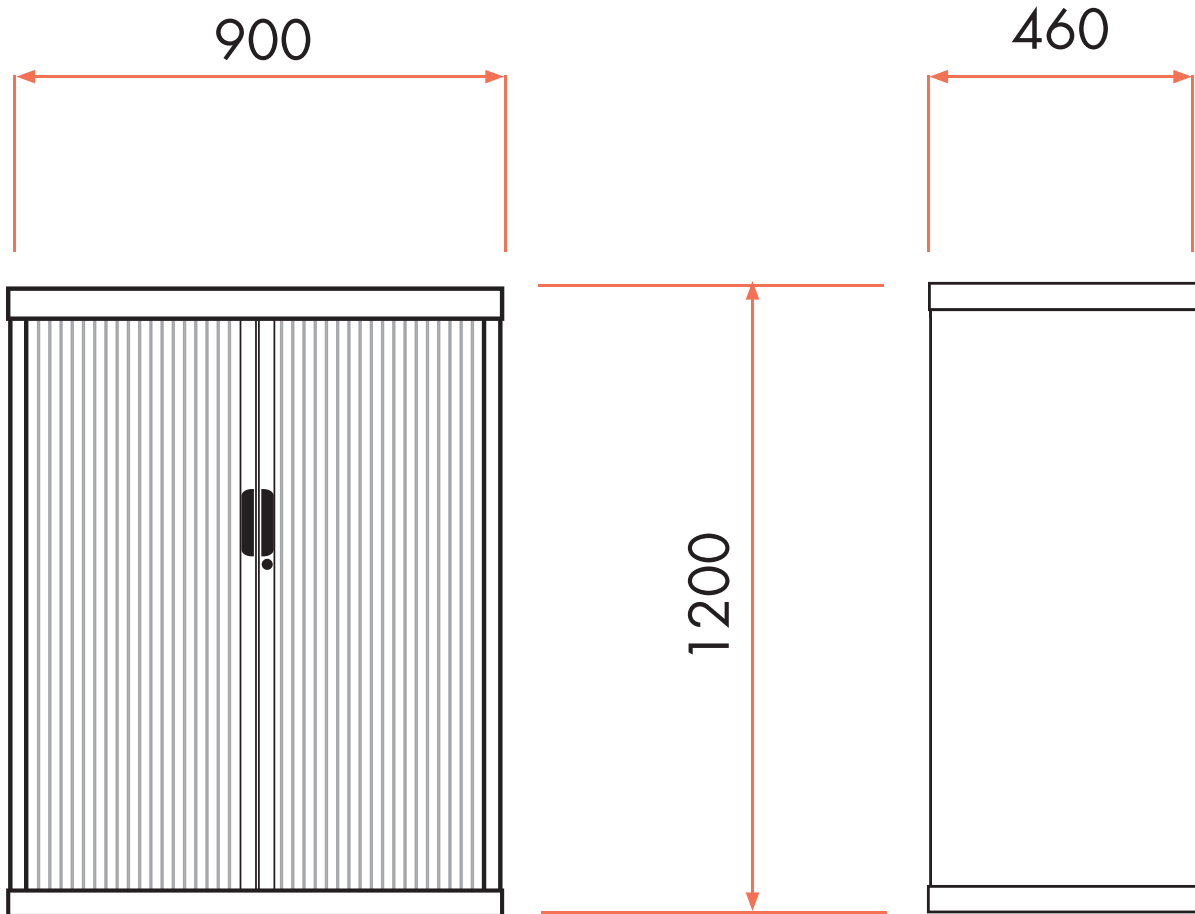
Product Description

Elite Space tambour Door Cupboards are both a practical and stylish storage solution.

Product Features

- Fully welded body provides strength and rigidity
- Complete range of internal accessories available to cater for all your filing needs
- Choose from a variety of environmentally conscious door materials - from solid colour and translucent synthetic slats to powder coated aluminium
- Standard adjustable feet compensate for uneven floor surfaces or fit castors to go mobile*
- Standard heights to match with Lateral Filing and Receding Door cabinets
- Removable lock barrels for common key access across all Elite Space products

* Castors available for cabinets to maximum height of 1200 / add 85mm to the overall height of the unit.



| **Width 900** **Height 1200** **Depth 460** |

Note: Drawing is proportional but not to scale. All written measurements shown are true to actual product dimensions.



www.elitespace.com.au

| Title Of Piece |

FOUR LEVELS | ST94

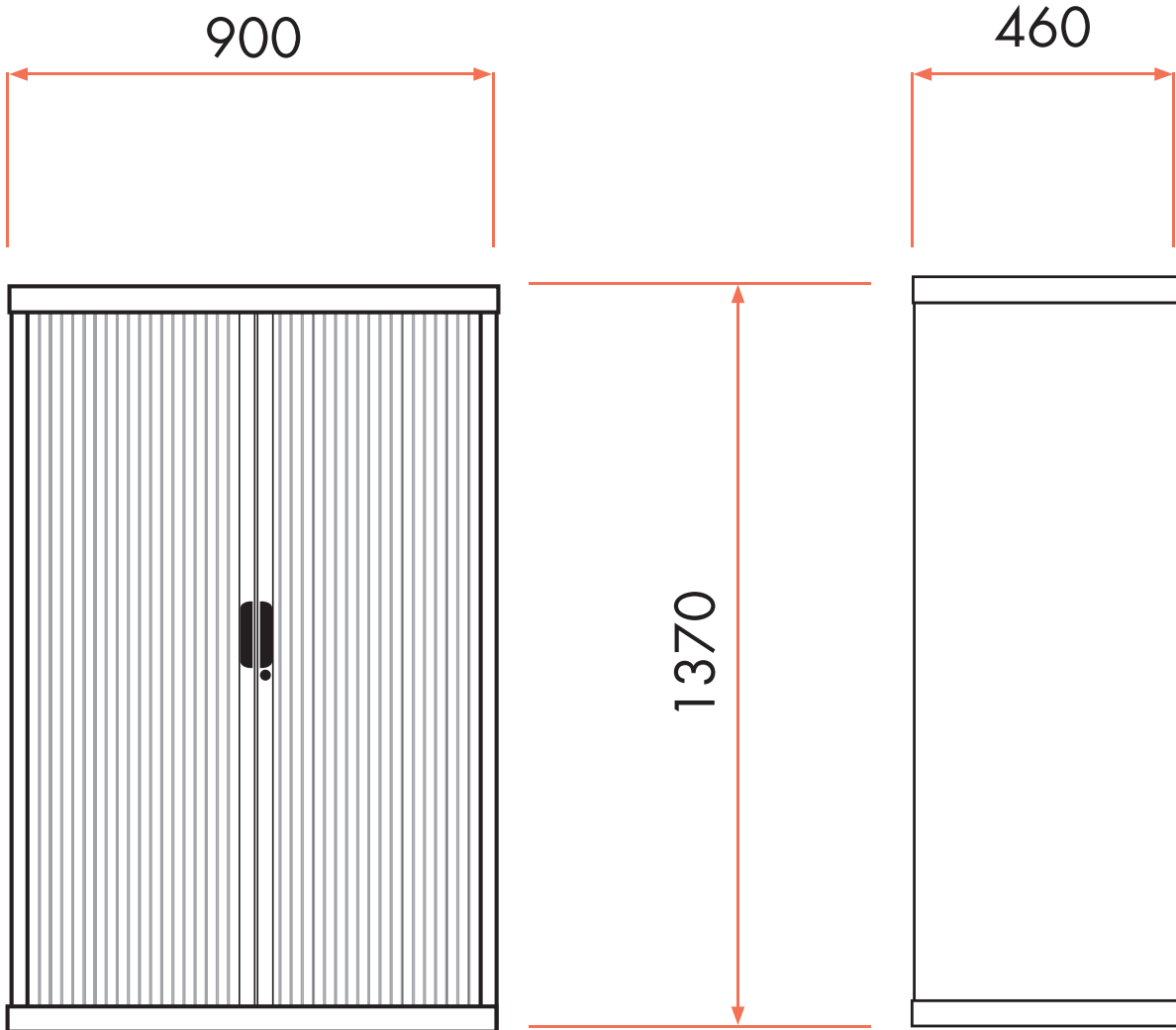
Product Description

Elite Space tambour Door Cupboards are both a practical and stylish storage solution.

Product Features

- Fully welded body provides strength and rigidity
- Complete range of internal accessories available to cater for all your filing needs
- Choose from a variety of environmentally conscious door materials - from solid colour and translucent synthetic slats to powder coated aluminium
- Standard adjustable feet compensate for uneven floor surfaces or fit castors to go mobile*
- Standard heights to match with Lateral Filing and Receding Door cabinets
- Removable lock barrels for common key access across all Elite Space products

* Castors available for cabinets to maximum height of 1200 / add 85mm to the overall height of the unit.



| **Width 900** **Height 1370** **Depth 460** |

Note: Drawing is proportional but not to scale. All written measurements shown are true to actual product dimensions.



Product Description

Elite Space tambour Door Cupboards are both a practical and stylish storage solution.

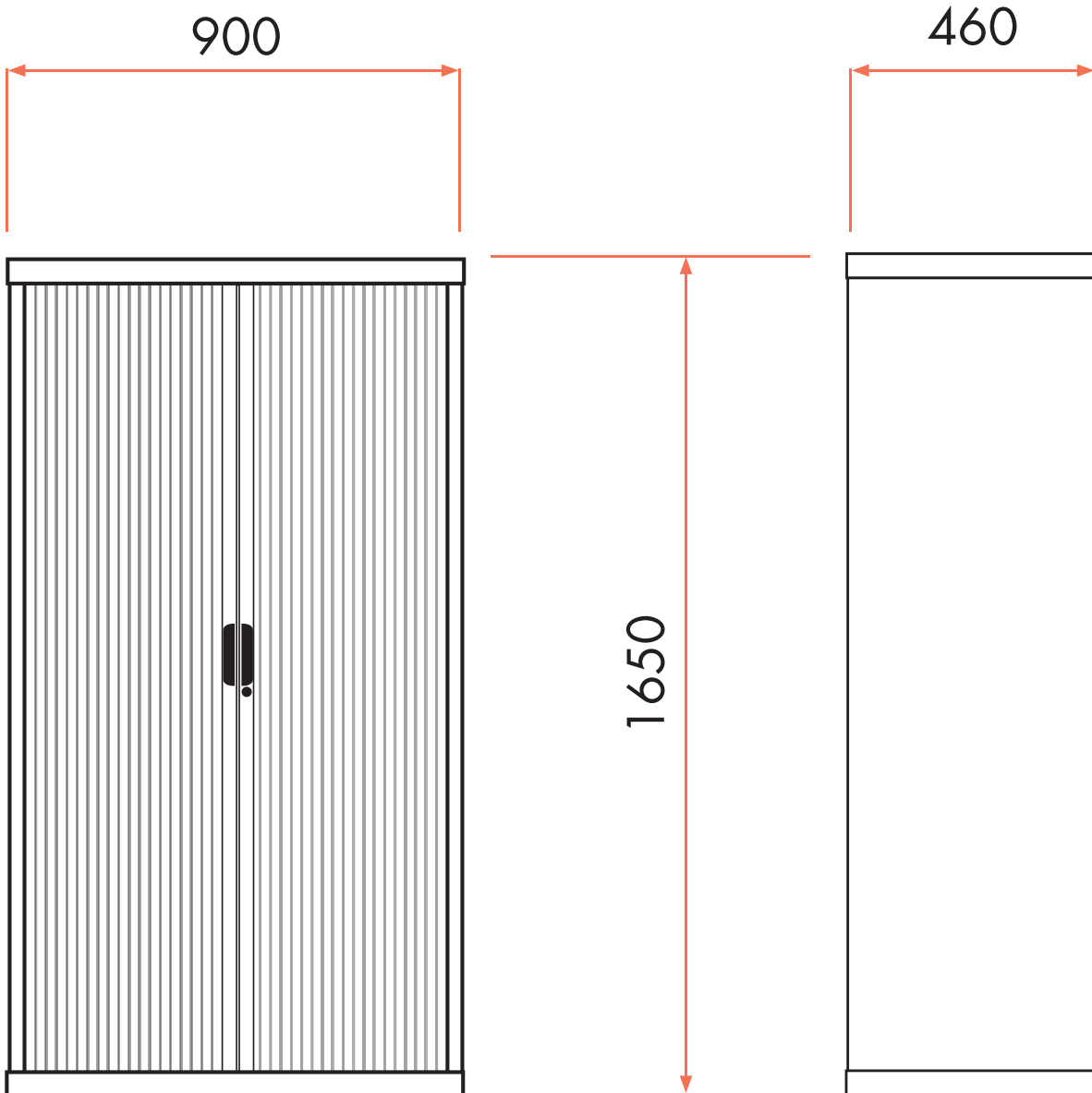
Product Features

- Fully welded body provides strength and rigidity
- Complete range of internal accessories available to cater for all your filing needs
- Choose from a variety of environmentally conscious door materials - from solid colour and translucent synthetic slats to powder coated aluminium
- Standard adjustable feet compensate for uneven floor surfaces or fit castors to go mobile*
- Standard heights to match with Lateral Filing and Receding Door cabinets
- Removable lock barrels for common key access across all Elite Space products

* Castors available for cabinets to maximum height of 1200 / add 85mm to the overall height of the unit.

| Title Of Piece |

FIVE LEVELS | ST95



| **Width 900** **Height 1650** **Depth 460** |

Note: Drawing is proportional but not to scale. All written measurements shown are true to actual product dimensions.



Product Description

Elite Space tambour Door Cupboards are both a practical and stylish storage solution.

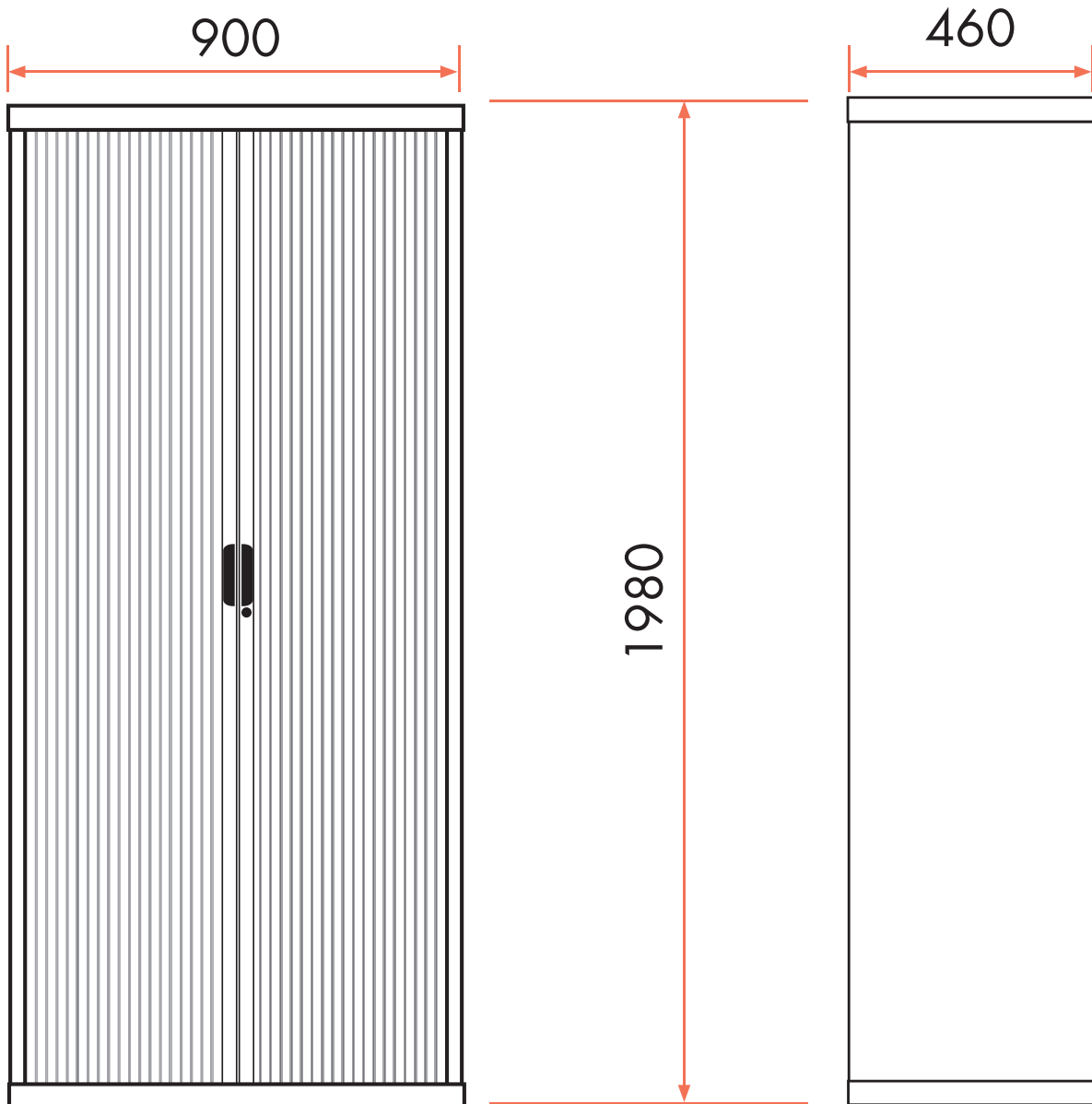
Product Features

- Fully welded body provides strength and rigidity
- Complete range of internal accessories available to cater for all your filing needs
- Choose from a variety of environmentally conscious door materials - from solid colour and translucent synthetic slats to powder coated aluminium
- Standard adjustable feet compensate for uneven floor surfaces or fit castors to go mobile*
- Standard heights to match with Lateral Filing and Receding Door cabinets
- Removable lock barrels for common key access across all Elite Space products

* Castors available for cabinets to maximum height of 1200 / add 85mm to the overall height of the unit.

| Title Of Piece |

SIX LEVELS | ST96



| **Width 900** **Height 1980** **Depth 460** |

Note: Drawing is proportional but not to scale. All written measurements shown are true to actual product dimensions.