

viccarbe

Copa Stool

Designed by Ramos&Bassols

Catalogue - EN

2019



Ramos&Bassols

After several years of experience in different fields such as urban furniture, tableware, lighting and office furniture, etc... David Ramos and Jordi Bassols have created in 2004 Ramos + Bassols studio.

Based in Barcelona, they offer a personal view on contemporary design. "We always search the balance between form, function and aesthetics in our products". In the last years, the studio has received several international awards such as: Hospitality Design Product 2010, International Interior Design Association 2010 award, The IF Design award 2015, the Red Dot Award 2015, and the Gold award Best of Neocon in 2016.



Copa Stool

“The Copa stool becomes the square of the circle for the successful family designed by Ramos&Bassols. This new version of the seat represents one of the maxims of the Viccarbe collection: to continue the journey of existing families, providing greater versatility and adaptability to spaces.”



Copa Stool ^{NEW}



Copa bar stool,
4 metal legs

Copa bar stool,
4 wooden legs

Copa bar stool,
4 wooden legs

Copa bar stool,
swivel base



Copa counter stool,
4 metal legs

Copa counter stool,
4 wooden legs, ash

Copa counter stool,
4 wooden legs, matt oak

Copa counter stool,
swivel base

Copa



Copa chair,
4 metal legs base

Copa chair,
wooden base

Copa chair,
flat swivel base

Copa chair,
pyramid swivel base

Copa chair,
cantilever base



Copa chair,
five casters base

Copa chair,
pyramid swivel base with casters

Copa Lounge Chair ^{NEW}



Copa lounge chair,
wooden base

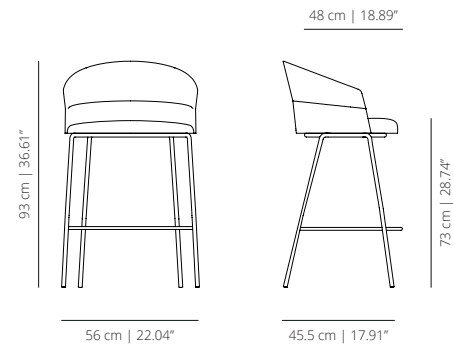
For more info: www.viccarbe.com/model/copa

Copa Stool

Technical Info - EN

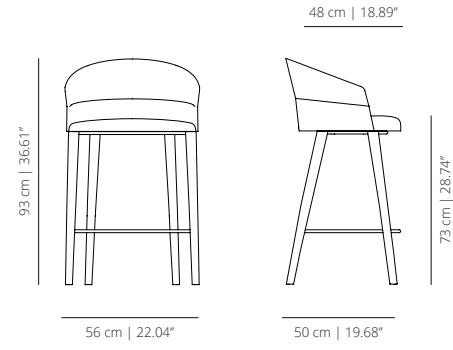
METAL BASE COUNTER STOOL

COT4MECO
stool



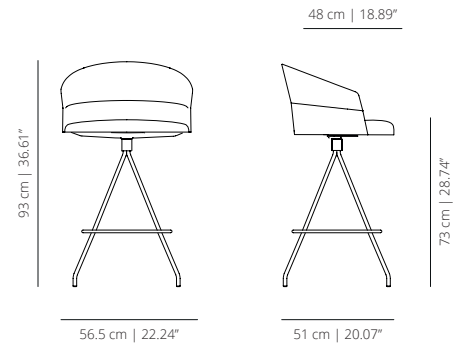
FOUR WOODEN COUNTER STOOL

COT4MACO
stool



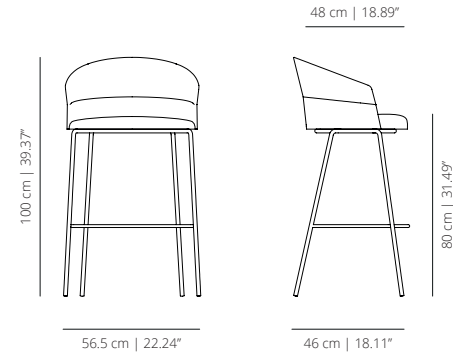
SWIVEL BASE COUNTER STOOL

COTGCO
stool



METAL BASE BAR STOOL

COT4MEBAR
stool



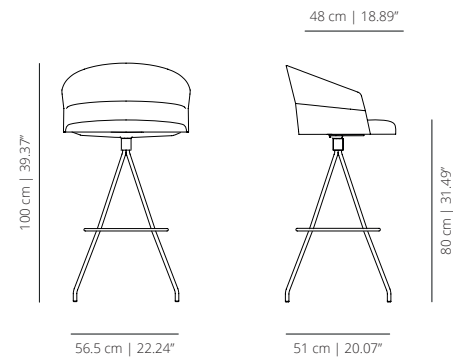
FOUR WOODEN BASE BAR STOOL

COT4MABAR
stool



SWIVEL BASE BAR STOOL

COTGBAR
stool



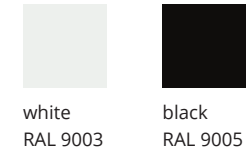
FINISHES

Upholstery

Check upholstery samples.

STRUCTURE

Powder coated



Stained (Oak)



TECHNICAL INFO

Moulded plywood seat and backrest covered with expanded polyurethane foam.

Base options:

Metal base counter/bar – Calibrated steel structure powder coated in thermoreinforced polyester in white or black and footrest in the same colour. Plastic glides in black or white with or without felt.

Four wooden base counter/bar – Four solid oak wood legs stained with the finishes of our collection.

Footrest in calibrated steel powder coated in thermoreinforced polyester in black.

Plastic glides in black or white with or without felt.

Swivel base counter/bar – Calibrated steel swivel structure powder coated in thermoreinforced polyester in white or black and footrest in the same colour. Plastic glides in black or white with or without felt.

