

**Self-stabilises on
uneven restaurant
and cafe surfaces.**

**Award winning
design.**



**GOOD
DESIGN
AWARD®
GOLD WINNER**



**reddot award 2017
winner**

**Patented
technology.**

**Simple, robust
mechanical design.**

**Mastering
stabilising
technology for
over 25 years.**

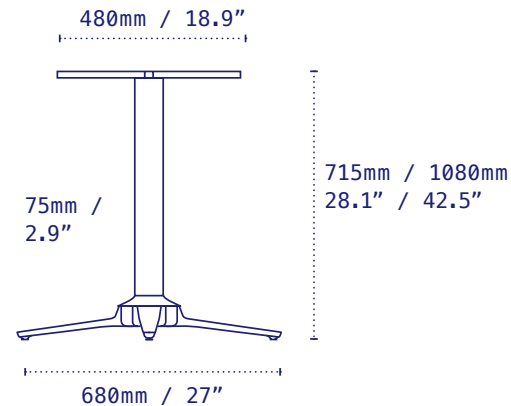
**Instant
stabilisation**

Esplanade



Classic and architectural, the NoRock 'Esplanade' table base exemplifies a prestige. Elegant, established and confident, the 'Esplanade' is suited to the sophisticated dining experience. Custom colours available.

Model	Esplanade
Part Number	ESAL27
Material	Aluminium
Base Diameter	680mm - 27"
Style	Dining height / Bar height
Height excl. Table Top	715mm - 28.1" Dining / 1080mm - 42.5" Bar
Column	75mm - 2.9"
Top Plate	Fixed
Gross Weight (GW)	5.9kg - 13.0lbs
Net Weight (NW)	4.7kg - 10.3lbs
Carton Measurement	600 x 600 x 100mm - 23.6 x 23.6 x 4"
Max Recommended Top Size	860mm - 34" Dining / 760mm - 30" Bar



- Sandstone Black Part No: ESAL27BK/B*
- Metallic Silver Part No: ESAL27SI
- Aluminium Part No: ESAL27AL
- White Part No: ESAL27WH
- Antique Bronze Part No: ESAL27AB
- Rust Part No: ESAL27RU