

**Self-stabilises on  
uneven restaurant  
and cafe surfaces.**

**Award winning  
design.**



**GOOD  
DESIGN  
AWARD®  
GOLD WINNER**



**reddot award 2017  
winner**

**Patented  
technology.**

**Simple, robust  
mechanical design.**

**Mastering  
stabilising  
technology for  
over 25 years.**

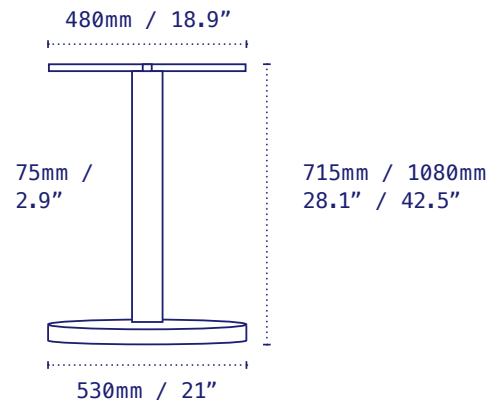
**Instant  
stabilisation**

# Lunar

The Lunar presents all the self-stabilising technology within a well-designed, unique disc-shaped base. Custom colours available



Model	Lunar
Part Number	LNST21
Material	Powder coated steel
Base Diameter	530mm – 21"
Style	Dining height / Bar height
Height excl. Table Top	715mm – 28.1" Dining / 1080mm – 42.5" Bar
Column	75mm – 2.9"
Top Plate	Fixed
Gross Weight (GW)	16.4kg – 36.1lbs
Net Weight (NW)	14.5kg – 31.9lbs
Carton Measurement	550 x 550 x 150mm – 21.6 x 21.6 x 5.9"
Max Recommended Top Size	760mm – 30" Dining / 600mm – 24" Bar



- Sandstone Black Part No: LNST21BK/B\*
- Metallic Silver Part No: LNST21SI
- Aluminium Part No: LNST21AL
- White Part No: LNST21WH
- Antique Bronze Part No: LNST21AB
- Rust Part No: LNST21RU