

**Self-stabilises on  
uneven restaurant  
and cafe surfaces.**

**Award winning  
design.**



**GOOD  
DESIGN  
AWARD®  
GOLD WINNER**



**reddot award 2017  
winner**

**Patented  
technology.**

**Simple, robust  
mechanical design.**

**Mastering  
stabilising  
technology for  
over 25 years.**

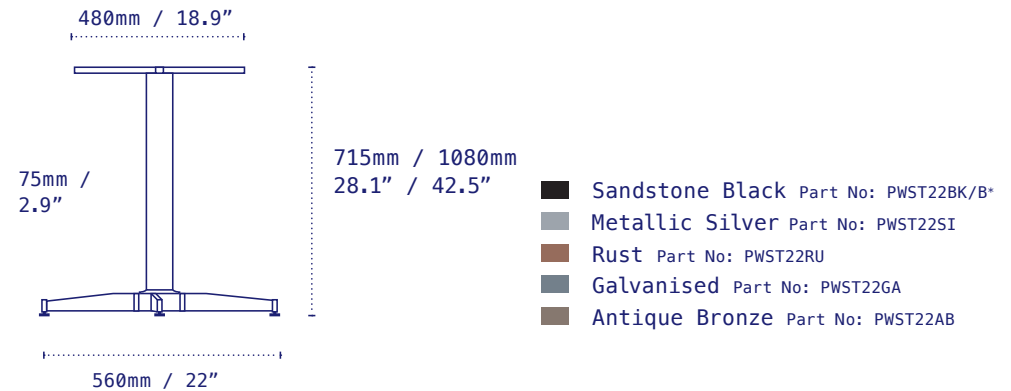
**Instant  
stabilisation**

# Parkway 22



The NOROCK 'Parkway' table base captures an industrial rawness. Angular and architectural, the exposed componentry and minimalist design illustrate the elements – crafted, zinc-plated steel, exposed fasteners and a dichotomous simplicity. Custom colours available.

Model	Parkway
Part Number	PWST22
Material	Zinc Plated Powder Coated Steel
Base Diameter	560mm – 22"
Style	Dining height / Bar height
Height excl. Table Top	715mm – 28.1" Dining / 1080mm – 42.5" Bar
Column	75mm – 2.9"
Top Plate	Fixed
Gross Weight (GW)	7.6kg – 16.7lbs
Net Weight (NW)	6.7kg – 14.7lbs
Carton Measurement	610 x 520 x 100mm – 24 x 20 x 4"
Max Recommended Top Size	760mm – 30" Dining / 600mm – 24" Bar

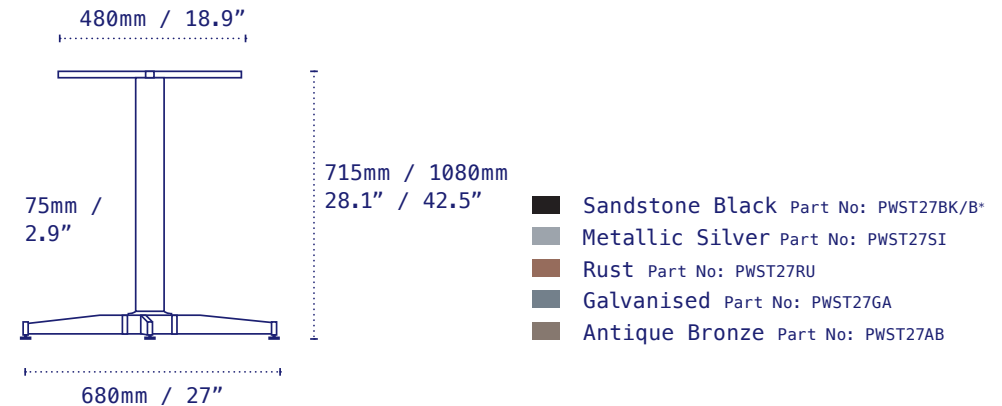


# Parkway 27



The NOROCK 'Parkway' table base captures an industrial rawness. Angular and architectural, the exposed componentry and minimalist design illustrate the elements – crafted, zinc-plated steel, exposed fasteners and a dichotomous simplicity. Custom colours available.

Model	Parkway
Part Number	PWST27
Material	Zinc Plated Powder Coated Steel
Base Diameter	680mm – 27"
Style	Dining height / Bar height
Height excl. Table Top	715mm – 28.1" Dining / 1080mm – 42.5" Bar
Column	75mm – 2.9"
Top Plate	Fixed
Gross Weight (GW)	8.4kg – 18.5lbs
Net Weight (NW)	7.0kg – 15.8lbs
Carton Measurement	600 x 600 x 100mm – 23.6 x 23.6 x 4"
Max Recommended Top Size	860mm – 34" Dining / 760mm – 30" Bar

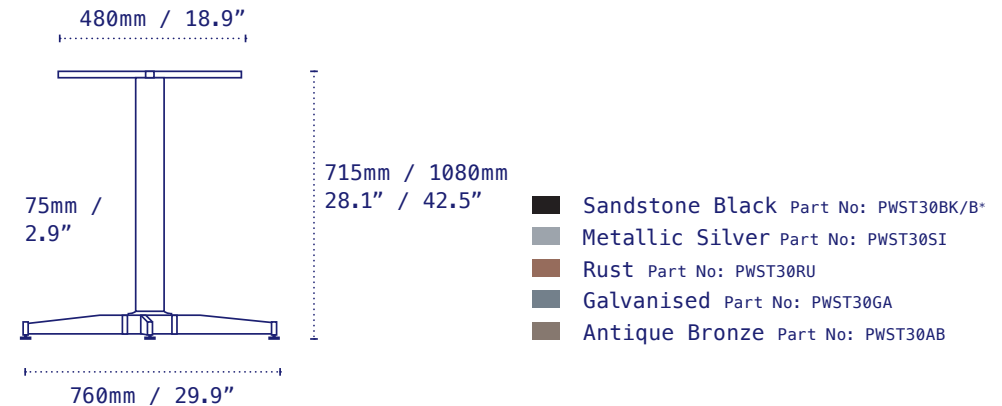


# Parkway 30



The NOROCK 'Parkway' table base captures an industrial rawness. Angular and architectural, the exposed componentry and minimalist design illustrate the elements – crafted, zinc-plated steel, exposed fasteners and a dichotomous simplicity. Custom colours available.

Model	Parkway
Part Number	PWST30
Material	Zinc plated, powder coated steel
Base Diameter	760mm – 30"
Style	Dining height / Bar height
Height excl. Table Top	715mm – 28.1" Dining / 1080mm – 42.5" Bar
Column	75mm – 2.9"
Top Plate	Fixed
Gross Weight (GW)	8.9kg – 19.6lbs
Net Weight (NW)	7.0kg – 16.9lbs
Carton Measurement	670 x 600 x 100mm – 25.4 x 23.6 x 4"
Max Recommended Top Size	1000mm – 40" Dining / 860mm – 34" Bar

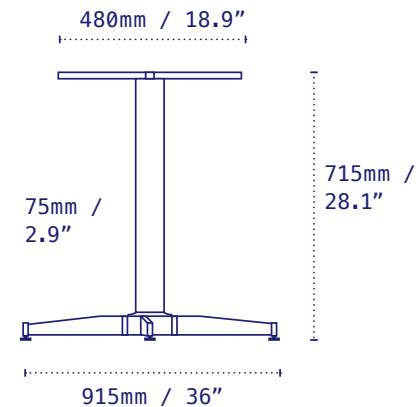


# Parkway 36



The NOROCK 'Parkway' table base captures an industrial rawness. Angular and architectural, the exposed componentry and minimalist design illustrate the elements – crafted, zinc-plated steel, exposed fasteners and a dichotomous simplicity. Custom colours available.

Model	Parkway
Part Number	PWST36
Material	Zinc plated, powder coated steel
Base Diameter	915mm – 36"
Style	Dining height
Height excl. Table Top	715mm – 28.1" Dining
Column	75mm – 2.9"
Top Plate	Fixed
Gross Weight (GW)	10kg – 22.0lbs
Net Weight (NW)	8.46kg – 18.6lbs
Carton Measurement	770 x 690 x 100mm – 30.3 x 26.8 x 4"
Max Recommended Top Size	1150mm – 46" Dining



- Sandstone Black Part No: PWST36BK/B\*
- Metallic Silver Part No: PWST36SI
- Rust Part No: PWST36RU
- Galvanised Part No: PWST36GA
- Antique Bronze Part No: PWST36AB