

**viccarbe**

# Maarten Stool

---

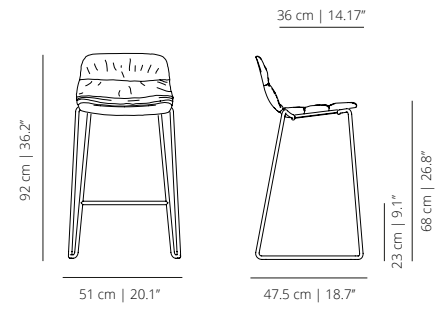
Designed by Victor Carrasco

Technical info - Outdoor

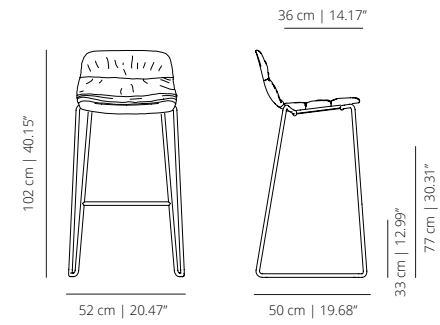
V01

## SLED COUNTER STOOL - LOW SEAT

### MAATPTCOBEX soft upholstery



### MAATPTBARBEX soft upholstery



## FINISHES

### SEAT

**Soft upholstery** – Injected polypropylene seat, with waterproof technical fabric and soft upholstery.



Soft

Check upholstery samples *for Outdoor*.

## STRUCTURE

### Powder coated



white  
RAL 9003



black  
RAL 9005

## TECHNICAL INFO

Base options:

**Sled base** – Calibrated steel structure with a special protective treatment for outdoor use, powder coated with thermoreinforced polyester in black or white, microtexturized finish and footrest in the same color and finish. Black or white plastic glides.

*NOTE: Outdoor cover available to protect the product from water, humidity and sunlight.*

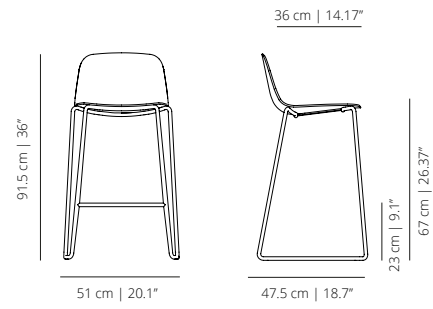
## CERTIFICATIONS

ANSI BIFMA X5.4-2020 y UNE EN 16139:2013vc2015

*Follows the outdoor regulation: UNE EN 581-2:2016*

## SLED COUNTER STOOL - LOW SEAT

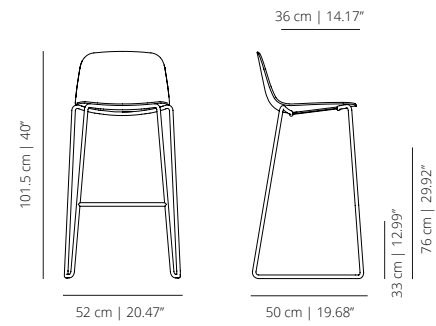
Plastic



x4 Stackable up to 4 units.

## SLED BAR STOOL - LOW SEAT

Plastic



x4 Stackable up to 4 units.

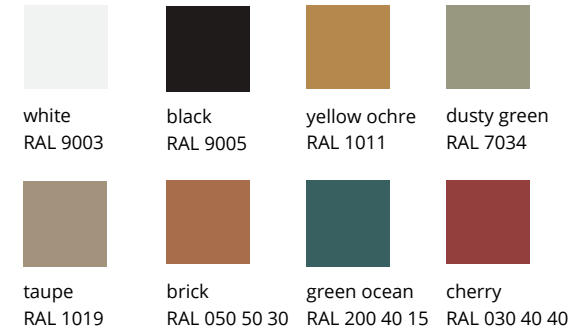
## FINISHES

### SEAT

**Plastic** – Injected polypropylene seat with UV protection in white, black, taupe, dusty green, yellow ochre or brick.

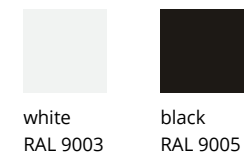


Plastic



## STRUCTURE

### Powder coated



## TECHNICAL INFO

Base options:

**Sled base** – Calibrated steel structure with a special protective treatment for outdoor use, powder coated with thermoreinforced polyester in black or white and microtexturized finish. Black or white plastic glides.

*NOTE: Outdoor cover available to protect the product from water, humidity and sunlight.*

## CERTIFICATES

ANSI BIFMA X5.4-2020 y UNE EN 16139:2013vc2015

Follows the outdoor regulation: UNE EN 581-2:2016



Aleta Executive chair has EPDs available. Access the full collection of EPDs at [environdec.com](http://environdec.com)



# Let's talk

We want to help you find the best designs for your project. Contact us and our team will get back to you as soon as possible.

[CONTACT US](#)