

diabla

DIABLA TEAM

MESA MONA

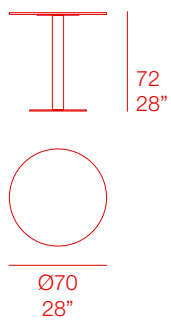
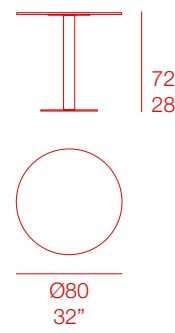
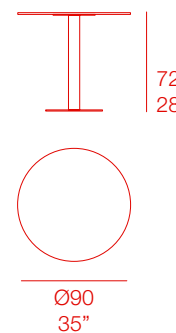
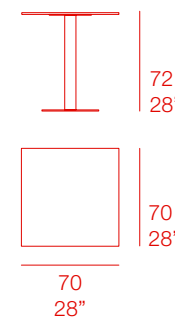
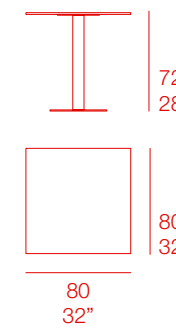
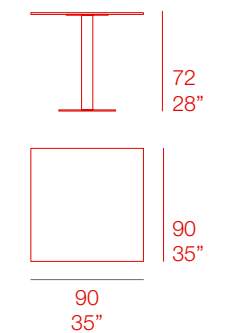
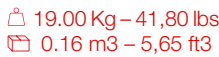
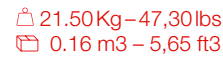
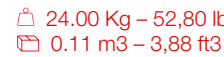
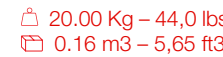
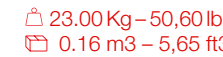
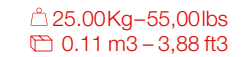
MESA - TABLE



MATERIALES - MATERIALS

Fabricado con acero zincado termolacado y tablero fenólico.
Made of thermo-lacquered galvanized steel and phenolic plate.

DATOS TÉCNICOS - TECHNICAL DATA

					
 19.00 Kg – 41,80 lbs 0.16 m ³ – 5,65 ft ³	 21.50 Kg – 47,30 lbs 0.16 m ³ – 5,65 ft ³	 24.00 Kg – 52,80 lbs 0.11 m ³ – 3,88 ft ³	 20.00 Kg – 44,0 lbs 0.16 m ³ – 5,65 ft ³	 23.00 Kg – 50,60 lbs 0.16 m ³ – 5,65 ft ³	 25.00 Kg – 55,00 lbs 0.11 m ³ – 3,88 ft ³
PT07686	PT07687	PT07688	PT07689	PT07690	PT07691

MAINTENANCE - MANTENIMIENTO

Ver apartado de limpieza y mantenimiento: www.diablaoutdoor.com
See cleaning and maintenance section: www.diablaoutdoor.com

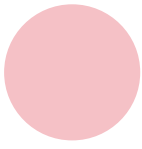
d|abla

COLORES - COLOURS

Estructura. Frame



Blanco
White



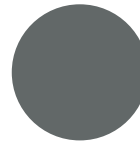
Rosa
Pink



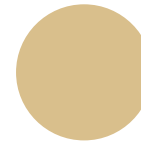
Rojo
Red



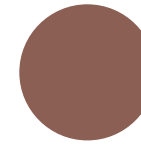
Gris
Grey



Antracita
Anthracite



Arena
Sand

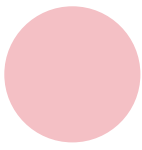


Bronce
Bronze

Fenólico. Phenolic



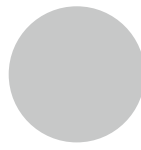
Blanco
White



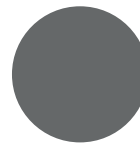
Rosa
Pink



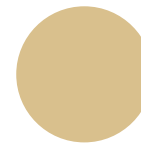
Rojo
Red



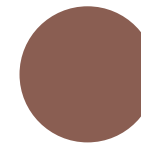
Gris
Grey



Antracita
Anthracite



Arena
Sand



Bronce
Bronze

