

NASTRO

designed by Studio Pepe

unit mm

563.22 Pendant

Series

Nastro

Dimensions

H. 19 x L 170 cm / H. 7,5" x L 67"

Weight

5,3 kg / 11,7 lb

Materials

metal, aluminum, brass, wood

Voltage

220-240V

CE  IP40

Certifications

CE

Source

Source Type: Integrated LED

Power: 50W

Color Temperature: 2700K

Nominal flux: 6065 lm

Dimmability: phase cut

Class

Insulation class 1

Degree of protection IP40

Notes

Driver on board

L. steel cable: 125 cm

L. electric cable: 150 cm

Decentralized canopy

DALI version on request.

110/120V version available.

Finishes

Hardware: C22 Beige, C23 Eggshell, C25 Terracotta, C26 Greenish-grey, C74 Sand black

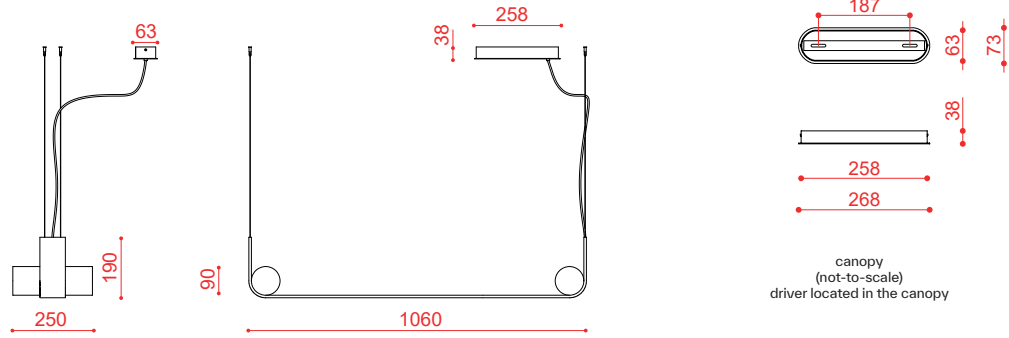
Cylinder: C22 Beige, C23 Eggshell, C25 Terracotta, C26 Greenish-grey, C74 Sand black, C41 Brushed brass, W01 Ash

Structure made of epoxy powder coated aluminum band structure accompanied by a brushed brass, painted metal cylinder. The light source consists of a dimmable LED included. Steel and electric cable adjustable on site.

ABOUT

The Nastro collection of suspension, wall, floor and table lamps designed by Studiopepe sees an epoxy powder coated aluminum band structure accompanied by a cylindrical weight that counterbalances its flexuosity, in a refined visual balance. The light source consists of a dimmable LED strip; the cylinders are available in epoxy powder coated metal, in wood, in brushed brass and in raw concrete.





NASTRO

designed by Studio Pepe

unit mm

563.21 Pendant

Series

Nastro

Dimensions

H. 19 x L 105 cm / H. 7,5" x L 41,3"

Weight

4 kg / 9 lb

Materials

metal, aluminum, brass, wood

Voltage

220-240V

CE Ⓢ IP40

Certifications

CE

Source

Source Type: Integrated LED

Power: 30W

Color Temperature: 2700K

Nominal flux: 3380 lm

Dimmability: phase cut

Class

Insulation class 1

Degree of protection IP40

Notes

Driver on board

L. steel cable: 125 cm

L. electric cable: 150 cm

Decentralized canopy

DALI version on request.

110/120V version available.

Finishes

Hardware: C22 Beige, C23 Eggshell, C25 Terracotta, C26 Greenish-grey, C74 Sand black

Cylinder: C22 Beige, C23 Eggshell, C25 Terracotta, C26 Greenish-grey, C74 Sand black, C41 Brushed brass, W01 Ash

Structure made of epoxy powder coated aluminum band structure accompanied by a brushed brass, painted metal cylinder. The light source consists of a dimmable LED included. Steel and electric cable adjustable on site.

ABOUT

The Nastro collection of suspension, wall, floor and table lamps designed by Studiopepe sees an epoxy powder coated aluminum band structure accompanied by a cylindric weight that counterbalances its flexuosity, in a refined visual balance. The light source consists of a dimmable LED strip; the cylinders are available in epoxy powder coated metal, in wood, in brushed brass and in raw concrete.

