

viccarbe

Aleta Executive

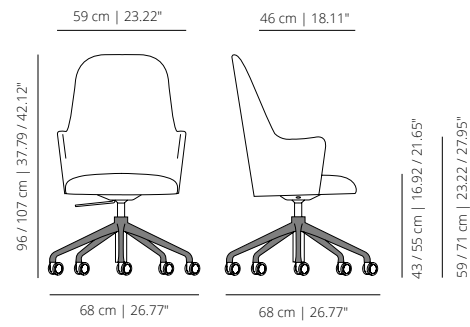
Designed by Jaime Hayon

Technical info - EN

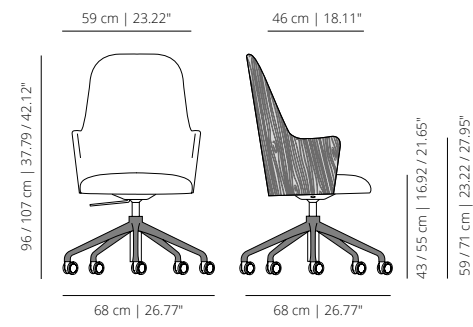
V01

FIVE CASTERS NYLON BASE

ALEXBRNY
upholstered chair

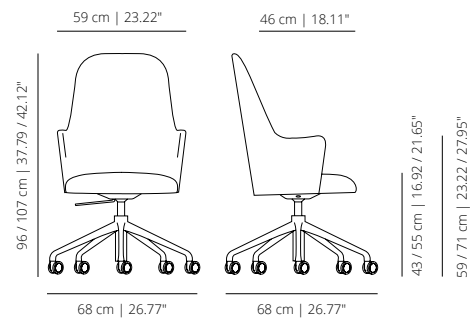


ALEXBRONY
upholstered chair with wooden backrest

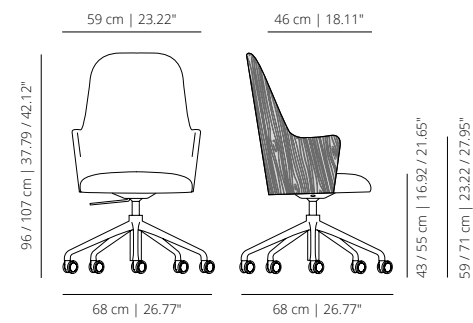


FIVE CASTERS ALUMINIUM BASE

ALEXBR
upholstered chair

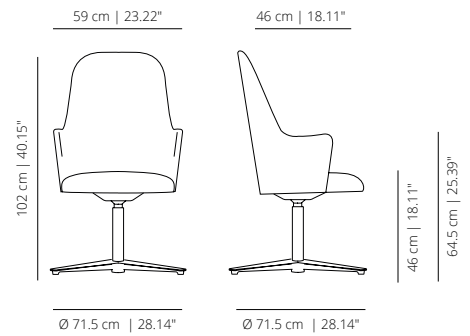


ALEXBRRO
upholstered chair with wooden backrest

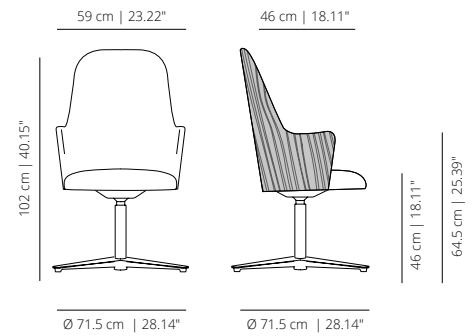


FLAT SWIVEL BASE

ALEXPLA
upholstered chair



ALEXPLARO
upholstered chair with wooden backrest



FINISHES

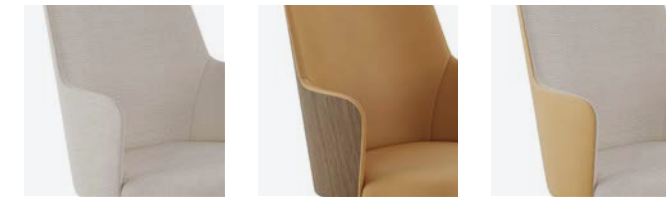
Upholstery

[Check upholstery samples.](#)

CHAIR BACKREST OPTIONS

Standard backrest – Back of the backrest upholstered in the same finish as the chair.

Back in leather, ecoleather or wood – Back of the backrest upholstered in leather, ecoleather or stained in oak veneer.



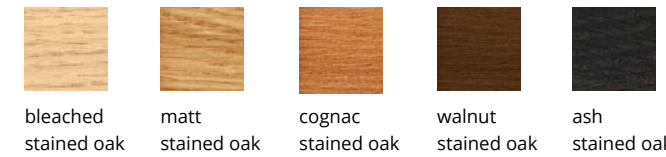
Upholstered

Back in wood

Back in leather/ecoleather

BACKREST

Stained Wood



bleached stained oak

matt stained oak

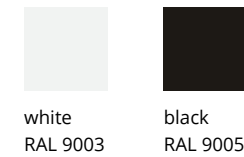
cognac stained oak

walnut stained oak

ash stained oak

STRUCTURE

Powder coated



white
RAL 9003

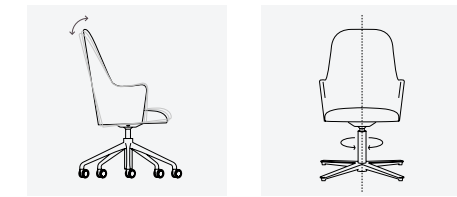
black
RAL 9005

Nylon



black
RAL 9005

OPTIONAL MECHANISMS



Tilting

Sel-return

TECHNICAL INFO

Seat and backrest made of molded plywood covered with non-deformable fireproof expanded polyurethane of different densities.

Base options:

Five casters nylon base – Black nylon swivel base. Gas height adjustment and soft casters in black. Available with tilting mechanism.

Five casters aluminium base – Bases in microtextured finish in white or black and polished aluminium. Gas height adjustment and soft casters in white or black. Tilting mechanism is available.

Flat swivel base – White or black lacquered swivel aluminium base with microtextured finish. Black or translucent plastic glides with or without felt. Available with tilting and self-return mechanism.

NOTE: This collection offers the possibility of two-colour upholstery, with one colour for the seat and another for the back.

CERTIFICATES

ANSI BIFMA X6.4:2021 and UNE-EN 16139:2013vc2015

Let's talk

We want to help you find the best designs for your project. Contact us and our team will get back to you as soon as possible.

+ CONTACT US