

**viccarbe**

# Aleta Executive Lounge

---

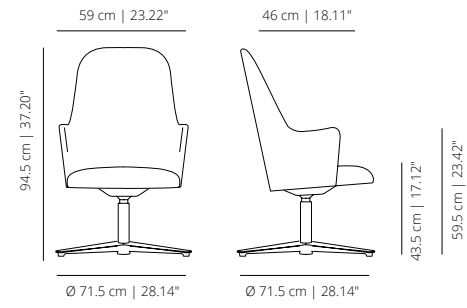
Designed by Jaime Hayon

Technical info - EN

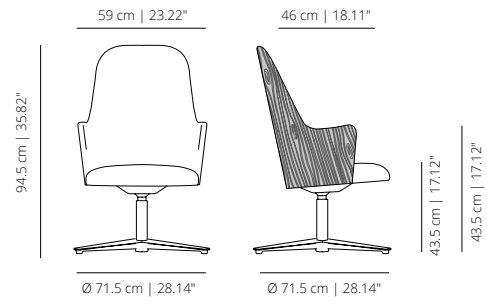
V01

## FLAT SWIVEL BASE

### ALEXBUPLA loung chair



### ALEXBUPLARO loung chair with wooden backrest



## FINISHES

### Upholstery

[Check upholstery samples.](#)

### LOUNGE CHAIR BACKREST OPTIONS

**Standard backrest** – Back of the backrest upholstered in the same finish as the lounge chair.

**Back in leather, ecoleather or wood** – Back of the backrest upholstered in leather, ecoleather or stained in oak veneer.



Upholstered



Back in wood



Back in leather/ecoleather

### BACKREST

#### Stained Wood



bleached  
stained oak



matt  
stained oak



cognac  
stained oak



walnut  
stained oak



ash  
stained oak

### STRUCTURE

#### Powder coated



white  
RAL 9003

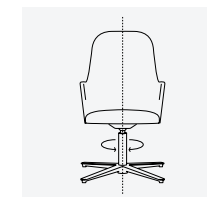


black  
RAL 9005

### OPTIONAL MECHANISMS



Tilting



Self-return

## TECHNICAL INFO

Seat and backrest made of molded plywood covered with non-deformable fireproof expanded polyurethane of different densities.

Base:

**Flat swivel base** – White or black lacquered swivel aluminum base with microtextured finish. Black or translucent plastic glides with or without felt. Available with tilting and self-return mechanism.

*NOTE: This collection offers the possibility of two-colour upholstery, with one colour for the seat and another for the back.*

### CERTIFICATES

ANSI BIFMA X6.4:2021 and UNE-EN 16139:2013vc2015

## Let's talk

*We want to help you find the best designs for your project. Contact us and our team will get back to you as soon as possible.*

+ CONTACT US