

**viccarbe**

# Step

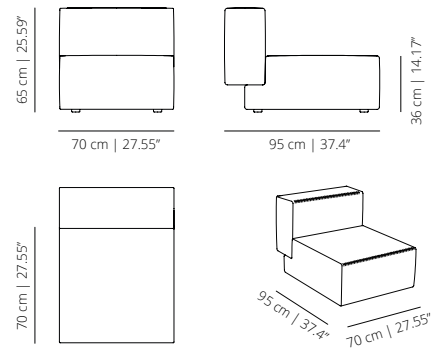
---

Designed by Vincent Van Duysen

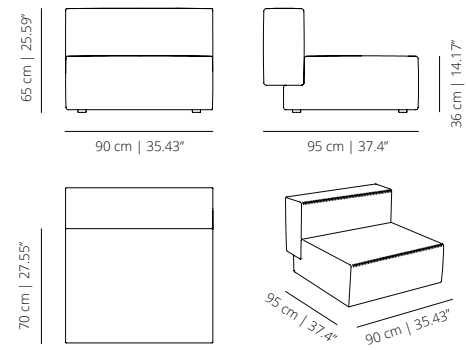
Technical info - EN

STEP SOFA - COMPONENTS

**ST70**  
module 70 | 27 5/16"

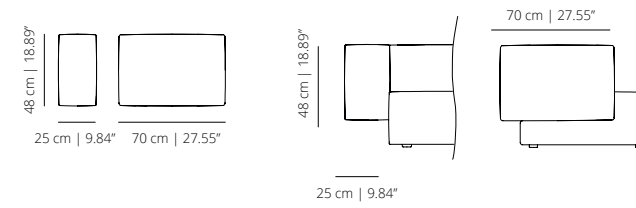


**ST90**  
module 90 | 35 7/16"

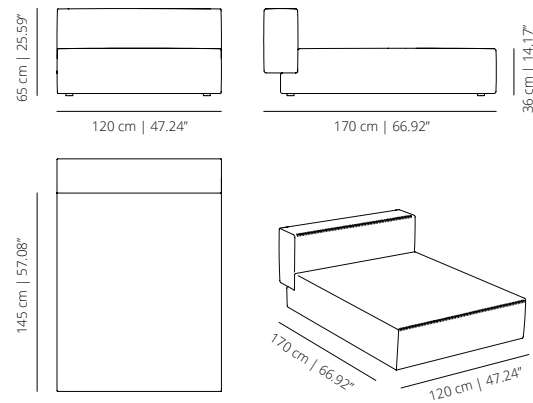


STEP SOFA - COMPONENTS

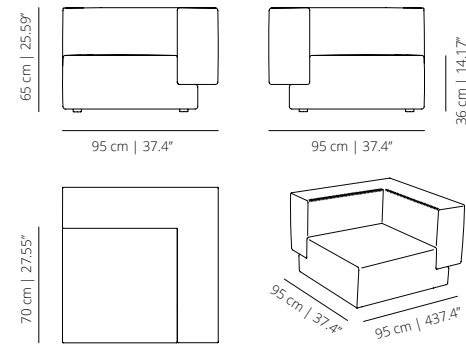
**STTA**  
wide arm



**STCH**  
chaise

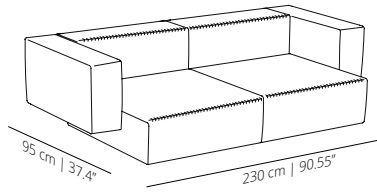


**STRI**  
corner

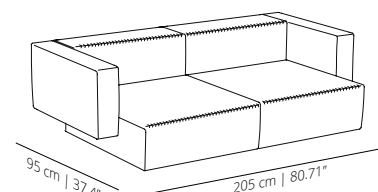


STEP SOFA - SUGGESTIONS

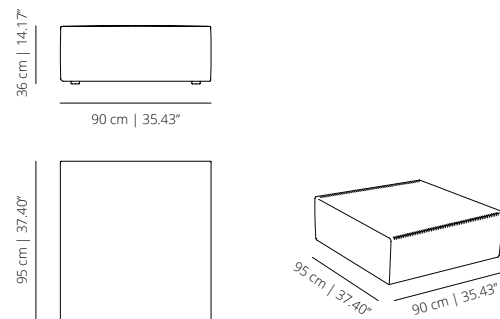
**COMPOSITION 1**  
sofa



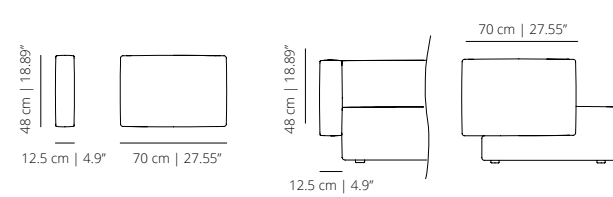
**COMPOSITION 2**  
sofa



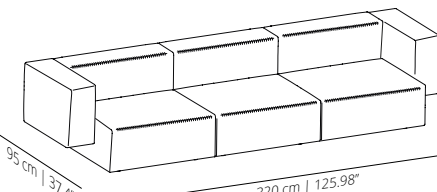
**STPO**  
pouf



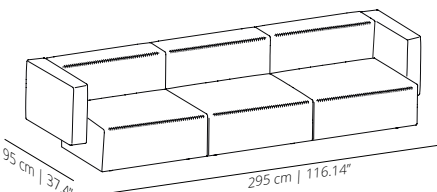
**STWA**  
narrow arm



**COMPOSITION 3**  
sofa

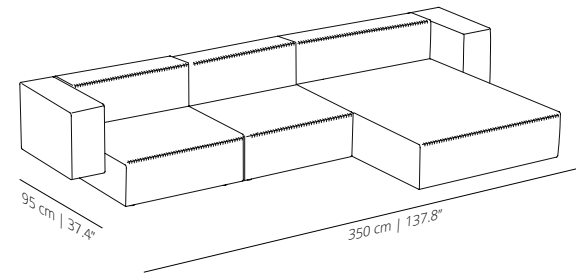


**COMPOSITION 4**  
sofa

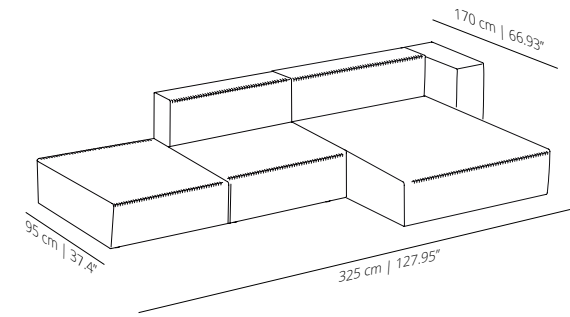


STEP SOFA - SUGGESTIONS

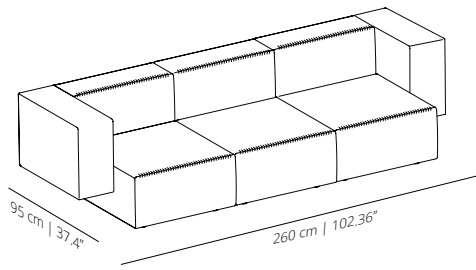
COMPOSITION 5  
sofa



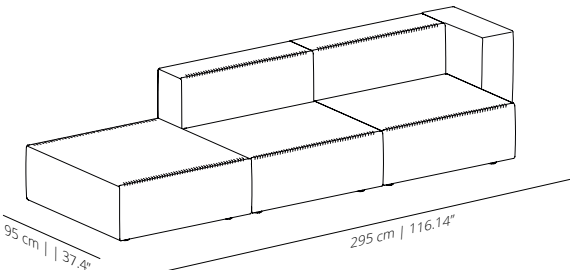
COMPOSITION 6  
sofa



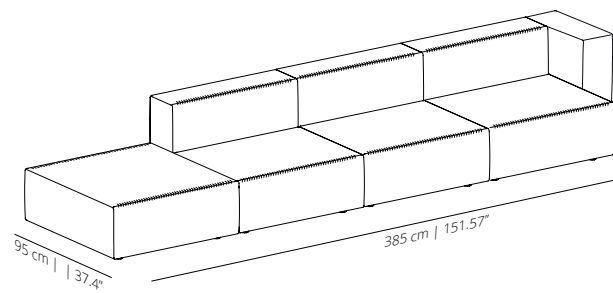
COMPOSITION 7  
sofa



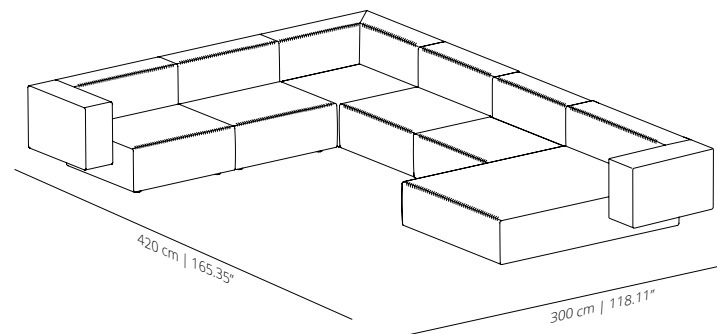
COMPOSITION 8  
sofa



COMPOSITION 9  
sofa

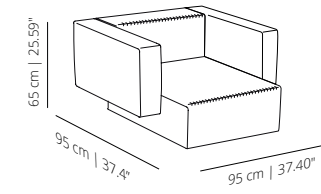


COMPOSITION 10  
sofa

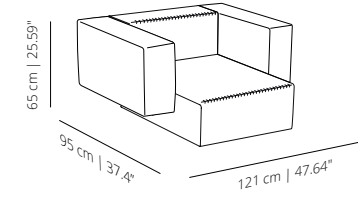


STEP LOUNGE CHAIR - SUGGESTIONS

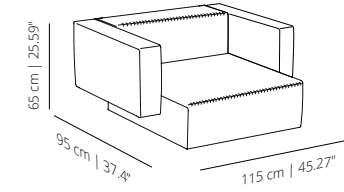
COMPOSITION 1  
loung chair



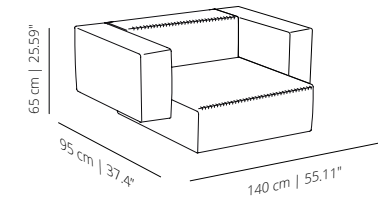
COMPOSITION 2  
loung chair



COMPOSITION 3  
loung chair

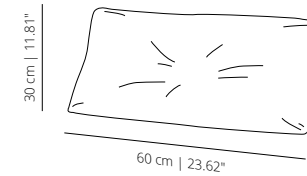


COMPOSITION 4  
loung chair

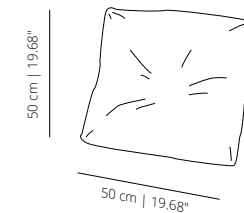


CUSHIONS

STEAL30  
cushion 60x30



STEEL50  
cushion 50x50



## FINISHES

---

### Seat and backrest

Interior structure in solid wood with expanded polyurethane foam in different densities and polyester fibre covering. The module is upholstered with fabrics of our collection and has height equalising legs.



Medium backrest

### Upholstery

Check [upholstery samples](#)

### Seam

Handmade seam available in different colors:white, black, red, sky blue, light grey, dark grey, green, cream, deep blue, caramel and wine.



white

black

light grey

dark grey

caramel

green

cream



red



wine



sky blue



deep blue



\*Decorative

## ARMS OPTIONS

---



**Narrow arm.** Wood structure covered with polyester fibre and non-deformable, expanded polyurethane foam of varying densities.



**Wide arm.** Wood structure covered with polyester fibre and non-deformable, expanded polyurethane foam of varying densities.

## POUF

---

Interior structure in solid wood covered with expanded polyurethane foam in different densities. Polyester fibre covering. The module is upholstered with fabrics of our collection and has equalising legs.



Squared pouf

## ACCESSORIES & ELECTRIFICATIONS

---



**Built-in SCHUKO powerbox/ USB hub.** Powerbox with one slot for socket or multimedia option  
Dimensions: Ø6.6x15 cm

## CERTIFICATIONS

---

ANSI/BIFMA X5.4-2012 and UNE EN 16139:2013

