

## LEGIER

designed by Corrado Dotti

unit mm

### 557.22L Pendant

#### Series

Legier

#### Dimensions

H. 33 x Ø 25 / H. 13" x Ø 9,8"

#### Weight

2,6 kg / 5,7 lb

#### Materials

metal, glass, brass, aluminum

#### Voltage

220-240V

CE  IP40

#### Certifications

CE

#### Source

Source Type: Integrated LED

Power: 1 x 10W

Color Temperature: 2700K

Nominal flux: 1375 lm

Dimmability: phase cut

#### Class

Insulation class 1

Degree of protection IP40

#### Notes

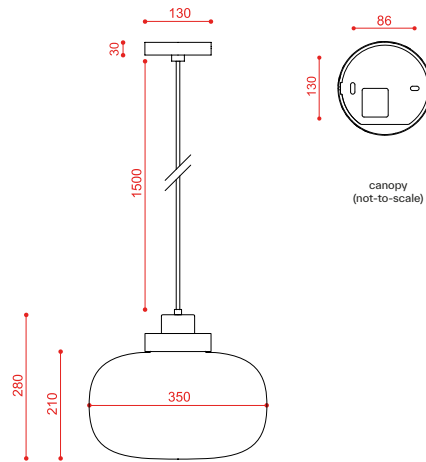
Cable Length: 150 cm / 59"

Dimming DALI system on request with remote driver

Also available in E27 with opal white glass only

Available in 110-120V





unit mm

## LEGIER

designed by Corrado Dotti

### 557.24L Pendant

#### Series

Legier

#### Dimensions

H. 28 x Ø 35 / H. 11" x Ø 13,8"

#### Weight

3,4 kg / 7,4 lb

#### Materials

metal, glass, brass, aluminum

#### Voltage

220-240V

CE  IP40

#### Certifications

CE

#### Source

Source Type: Integrated LED

Power: 1 x 10W

Color Temperature: 2700K

Nominal flux: 1375 lm

Dimmability: phase cut

#### Class

Insulation class 1

Degree of protection IP40

#### Notes

Cable Length: 150 cm / 59"

Also available in E27 with opal white glass only

Available in 110-120V

Dimming DALI system on request with remote driver