

unit mm

MOLLY

designed by Corrado Dotti

556.21L Pendant

Series

Molly

Dimensions

Ø 15 / Ø 5,9"

Weight

1,2 kg / 2,6 lb

Materials

metal, aluminum, PMMA

Voltage

220-240V

CE  IP40**Certifications**

CE

Source

Source Type: Integrated LED

Power: 1 x 10W

Color Temperature: 2700K

Nominal flux: 1375lm

Dimmability: Phase cut

Class

Insulation class 1

Degree of protection IP40

Notes

Dimming DALI system on request with remote driver.

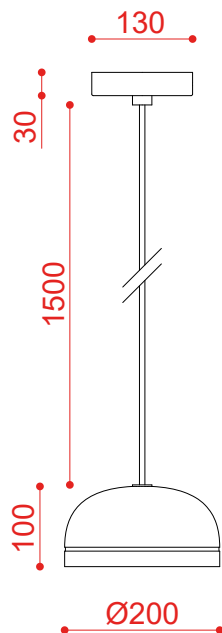
110-120V version available on request.

Finishes

Dome: C41 Brushed brass, C46 Sand grey, C50 Pewter, C74 Sand black

Ring: C41 Brushed brass, C46 Sand grey, C50 Pewter, C74 Sand black





unit mm

MOLLY

designed by Corrado Dotti

556.22L Pendant

Series

Molly

Dimensions

Ø 20 / Ø 7,9"

Weight

1,7 kg / 3,7 lb

Materials

metal, aluminum, PMMA

Voltage

220-240V

CE  IP40**Certifications**

CE

Source

Source Type: Integrated LED

Power: 1 x 10W

Color Temperature: 2700K

Nominal flux: 1375lm

Dimmability: Phase cut

Class

Insulation class 1

Degree of protection IP40

Notes

Dimming DALI system on request with remote driver.

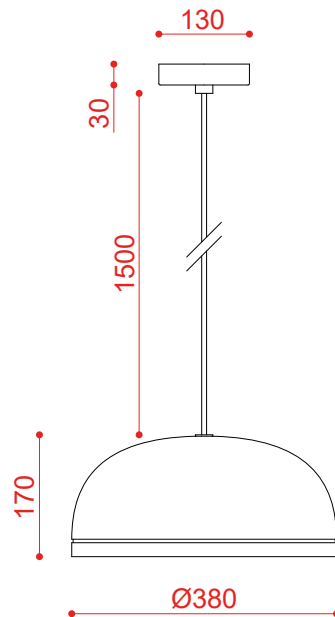
110-120V version available on request.

Finishes

Dome: C41 Brushed brass, C46 Sand grey, C50 Pewter, C74 Sand black

Ring: C41 Brushed brass, C46 Sand grey, C50 Pewter, C74 Sand black





unit mm

MOLLY

designed by Corrado Dotti

556.23L Pendant

Series

Molly

Dimensions

Ø 38 / Ø 15"

Weight

3,4 kg / 7,5 lb

Materials

metal, aluminum, PMMA

Voltage

220-240V

CE  IP40

Certifications

CE

Source

Source Type: Integrated LED

Power: 1 x 14W

Color Temperature: 2700K

Nominal flux: 1900lm

Dimmability: Phase cut

Class

Insulation class 1

Degree of protection IP40

Notes

Dimming DALI system on request with remote driver.

110-120V version available on request.

Finishes

Dome: C41 Brushed brass, C46 Sand grey, C50 Pewter, C74 Sand black

Ring: C41 Brushed brass, C46 Sand grey, C50 Pewter, C74 Sand black

