

QUADRANTE

designed by Roberto Giacomucci

505.09 Chandelier

Collezione / Series

Quadrante

Dimensioni / Dimensions

L. 63 x D. 63 / L. 24.8" x D. 24.8"

Peso / Weight

1,3 kg / 2,9 lb

Materiali / Materials

metal, glass

CE  IP20

Certificazioni / Certifications

CE (240V)

Sorgente / Source

9 x G9 110/240V
Recommended bulb: 3 Watts
Dimmability: according to bulb
Cable: 125 cm

Note / Notes

Custom ceiling plate on request
Decentralized canopy
Max dimension bulb (excluded): \varnothing 1,8 x H 5,7 cm

Finiture / Finishes

C2 Matte black

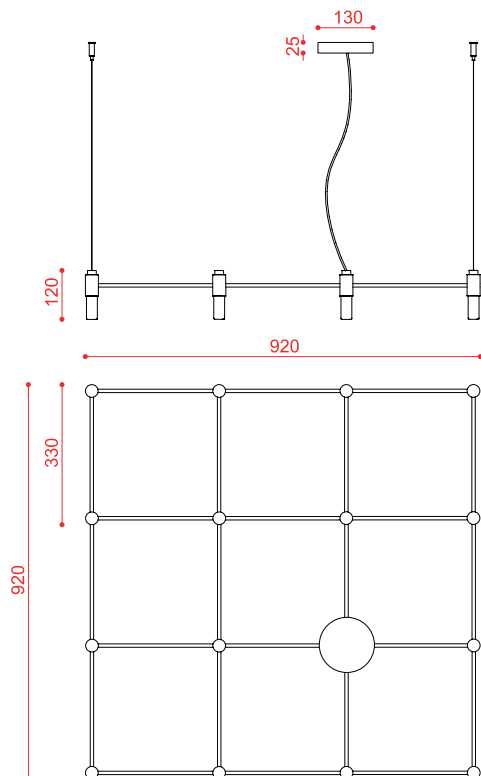
Struttura realizzata con tubi di acciaio saldati e verniciati a polveri epossidiche. La luce si diffonde attraverso vetri cilindrici satinati.
Structure made of welded and powder coated steel pipes. The light spreads through frosted cylindrical glasses.

ABOUT

Sospensioni modulari realizzati con tubi di acciaio saldati e verniciati a polveri epossidiche. Le configurazioni possibili sono numerose e creano un sistema di griglie luminose nell'ambiente.

Modular suspension made of welded and powder coated steel pipes.
The possible configurations are numerous and create a system of bright grids.





unit mm

QUADRANTE

designed by Roberto Giacomucci

505.16 Chandelier

Series

Quadrante

Dimensions

H 12 x L 92 x W 92 cm /
H 4,7" x L 36,2" x W 36,2"

Weight

2,5 kg / 5,5 lb

Materials

metal, glass

Voltage

220-240V

CE ⓘ IP20

Certifications

CE

Source

Source Type: Bulb G9
Power: 16 x max 3W
Color Temperature: /
Nominal flux: /
Dimmability: According to bulb

Class

Insulation class 1
Degree of protection IP20

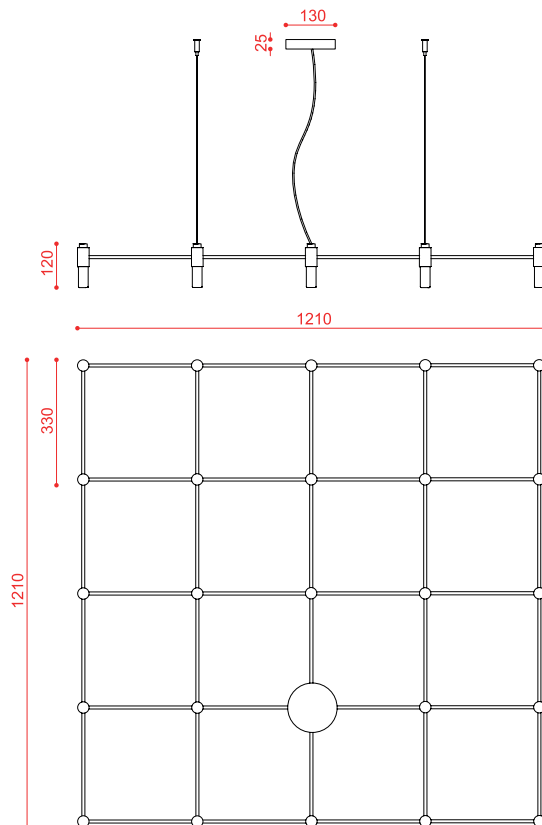
Notes

Decentralized canopy.
110/120V version available on request at
an additional cost.
Max. bulb dimensions (excluded): Ø 1,8 x H 5,7

Finishes

C2 Matte black





unit mm

QUADRANTE

designed by Roberto Giacomucci

505.25 Chandelier

Series
Quadrante

Dimensions
H 12 x L 121 x W 121 cm /
H 4,7" x L 47,6" x W 47,6"

Weight
3,4 kg / 7,5 lb

Materials
metal, glass

Voltage
220-240V

CE  IP20

Certifications
CE

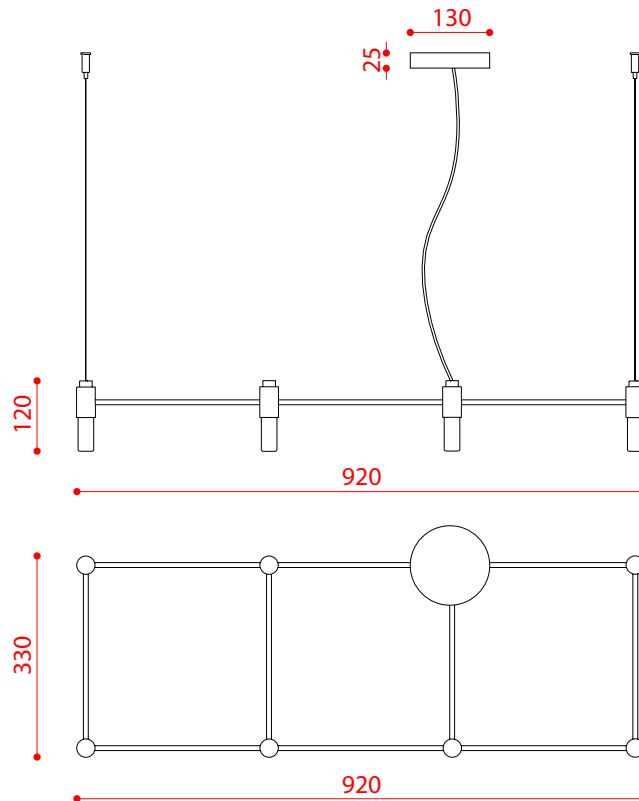
Source
Source Type: Bulb G9
Power: 25 x max 3W
Color Temperature: /
Nominal flux: /
Dimmability: According to bulb

Class
Insulation class 1
Degree of protection IP20

Notes
Decentralized canopy.
110/120V version available on request at
an additional cost.
Max. bulb dimensions (excluded): Ø 1,8 x H 5,7

Finishes
C2 Matte black





QUADRANTE

designed by Roberto Giacomucci

505.08 Chandelier

Collezione / Series

Quadrante

Dimensioni / Dimensions

L. 92 x D. 33 / L. 36.2" x D. 13"

Peso / Weight

1,1 kg / 2,4 lb

Materiali / Materials

metal, glass

CE  IP20

Certificazioni / Certifications

CE (240V)

Sorgente / Source

8 x G9 110/240V
Recommended bulb: 3 Watts
Dimmability: according to bulb
Cable: 125 cm

Note / Notes

Custom ceiling plate on request
Decentralized canopy
Max dimension bulb (excluded): \varnothing 1,8 x H 5,7 cm

Finiture / Finishes

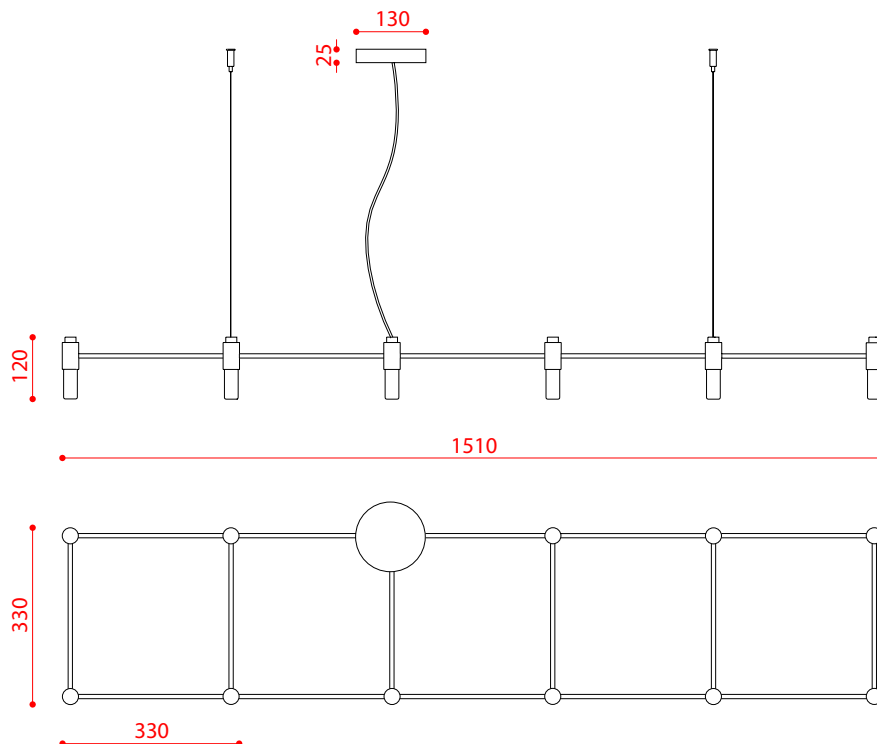
C2 Matte black

Struttura realizzata con tubi di acciaio saldati e verniciati a polveri epossidiche. La luce si diffonde attraverso vetri cilindrici satinati.
Structure made of welded and powder coated steel pipes. The light spreads through frosted cylindrical glasses.

ABOUT

Sospensioni modulari realizzati con tubi di acciaio saldati e verniciati a polveri epossidiche. Le configurazioni possibili sono numerose e creano un sistema di griglie luminose nell'ambiente.

Modular suspension made of welded and powder coated steel pipes. The possible configurations are numerous and create a system of bright grids.



QUADRANTE

designed by Roberto Giacomucci

505.12 Chandelier

Collezione / Series

Quadrante

Certificazioni / Certifications

CE (240V)

Finiture / Finishes

C2 Matte black

Dimensioni / Dimensions

L. 151 x D. 33 / L. 59.4" x D. 13"

Sorgente / Source

12 x G9 110/240V
Recommended bulb: 3 Watts
Dimmability: according to bulb
Cable: 125 cm

Peso / Weight

2 kg / 4,4 lb

Materiali / Materials

metal, glass

Note / Notes

Custom ceiling plate on request
Decentralized canopy
Max dimension bulb (excluded): \varnothing 1,8 x H 5,7 cm

CE \oplus IP20

Struttura realizzata con tubi di acciaio saldati e verniciati a polveri epossidiche. La luce si diffonde attraverso vetri cilindrici satinati.
Structure made of welded and powder coated steel pipes. The light spreads through frosted cylindrical glasses.

ABOUT

Sospensioni modulari realizzati con tubi di acciaio saldati e verniciati a polveri epossidiche. Le configurazioni possibili sono numerose e creano un sistema di griglie luminose nell'ambiente.

Modular suspension made of welded and powder coated steel pipes.
The possible configurations are numerous and create a system of bright grids.

