

RYUTARO by Víctor Carrasco



Occasional table designed in a minimalist distinctive style.

The steel legs are mortised through the top, creating an individual look. Thanks to the multiple finish options, the table can be used in numerous places, whether at home or in different architectural settings.

The tabletop is made of lacquered MDF or with an oak veneer in the various finishes offered by Viccarbe.

VICTOR CARRASCO



Born in Valencia (Spain) in 1974, Victor Carrasco began his professional career after graduating Cum Laude in Industrial Design Engineering at the Polytechnic University of Valencia.

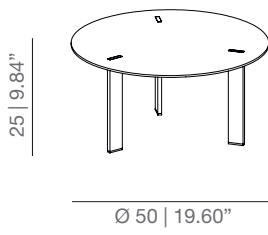
Shying away from trends and fads, he has developed and positioned international brands with remarkable added value, thanks to his passion for synthesis, sustainable growth and his pragmatic vision of the future.

Since 2007, he has been combining his position as strategic director of Viccarbe with that of Design Director for the prestigious American multinational Coalesse (Steelcase Inc.). Likewise, as an industrial designer, he has collaborated with numerous international companies such as Boffi, Glas Italia, Gandia Blasco, LZF, Vibia and Vaalva, among others.

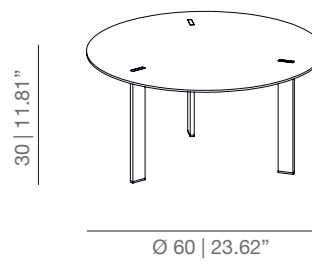
He was the recipient of the Prince Felipe Award for Business Excellence in 2008.

**DIMENSIONS**

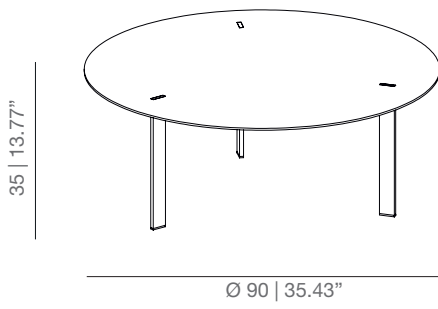
RVD50H25 round 50



RVD50H25 round 60



RVD50H25 round 90



**TECHNICAL INFO**

Tops in MDF lacquered or oak verneer with the finishes of our collection. Due to the fact that the wood used is natural, the finish may vary.

Legs in calibrated powder coated steel tube in thermoreinforced polyester in black, white with transparent injection polypropylene tips.

Different base and legs sizes available.

**FINISHES**

**STRUCTURE**



White  
RAL 9003



Black  
RAL 9005

**TOP**

Lacquered



White  
RAL 9003



Black  
RAL 9005



Grey  
RAL 9006



Sand  
NCS 3005Y50R



Tobacco  
RAL 8028



Smoke Grey  
RAL 1019



Silver  
RAL 9006



Red  
RAL 3001



Moustarid  
RAL 1012



Green  
RAL 6007



Blue  
RAL 5024



Bronze

Stained



Matt  
oak



Wenge



Cognac



Ash

**CERTIFICATES**





## PROJECTS

Estudio Cosin | Sánchez Garrido Architects | DZINE Showroom | LP House | Wild Valencia | Auditorio y Palacio de Congresos de Castellón | Progetti | Molí Rea | Toronto Showroom | Edificio Feria Valencia | Penthouse JOYU | Sausalito Residence | Residencial MOB 04 | SG Residence | Buro Modern