

MAARTEN by Víctor Carrasco 2012



Swivel chair for the home and for public facilities.

Its lacquered steel tube structure and carefully made, elegant, upholstered seat recall the classics of the '70s.

Maarten is available in a large quantity of finishes to adapt to different environments.

Totally in line with its original design we have made arms in lacquered steel tubing for our successful Maarten chair.

VICTOR CARRASCO



Born in Valencia (Spain) in 1974, Víctor Carrasco began his professional career after graduating Cum Laude in Industrial Design Engineering at the Polytechnic University of Valencia.

Shying away from trends and fads, he has developed and positioned international brands with remarkable added value, thanks to his passion for synthesis, sustainable growth and his pragmatic vision of the future.

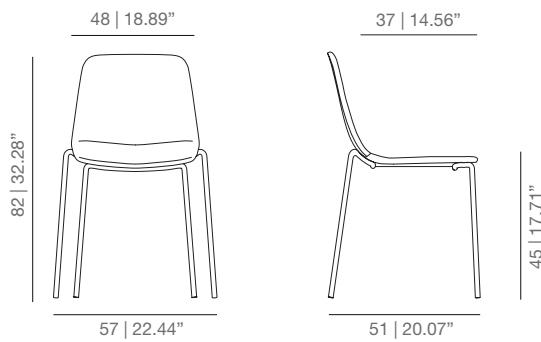
Since 2007, he has been combining his position as strategic director of Viccarbe with that of Design Director for the prestigious American multinational Coalesse (Steelcase Inc.). Likewise, as an industrial designer, he has collaborated with numerous international companies such as Boffi, Glas Italia, Gandia Blasco, LZF, Vibia and Vaalva, among others.

He was the recipient of the Prince Felipe Award for Business Excellence in 2008.

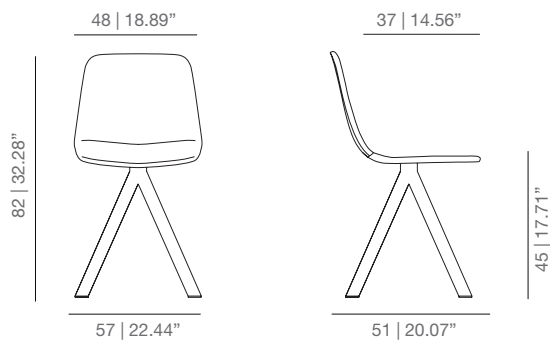
DIMENSIONS

SMOOTH UPHOLSTERY CHAIR

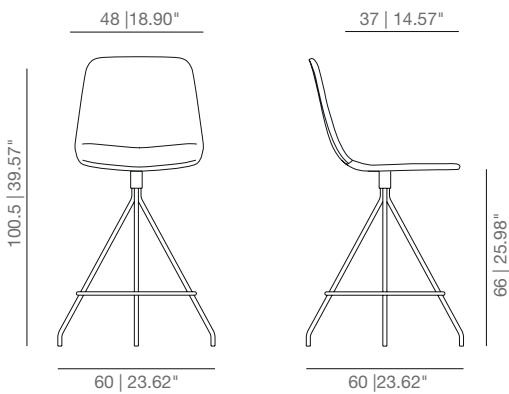
MAAL4P four legs base smooth upholstery



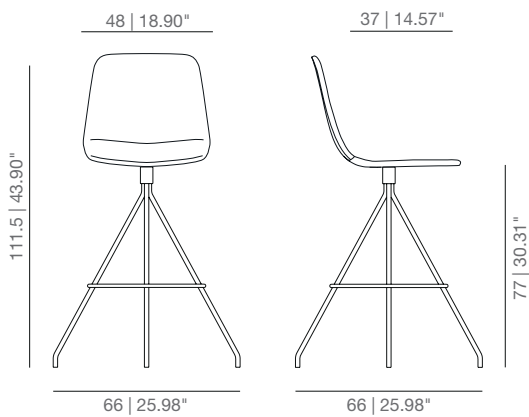
MAAL swivel base smooth upholstery
MAALM swivel wooden base smooth upholstery



MAALTCO swivel counter stool smooth upholstery

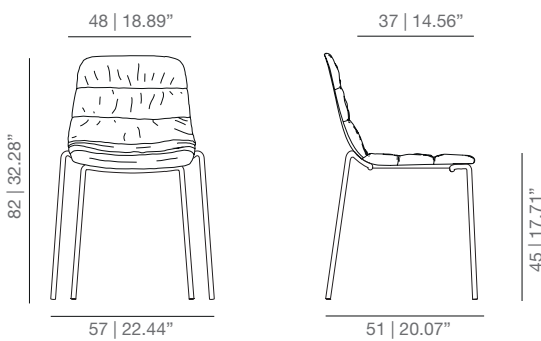


MAALTBAR swivel bar stool smooth upholstery

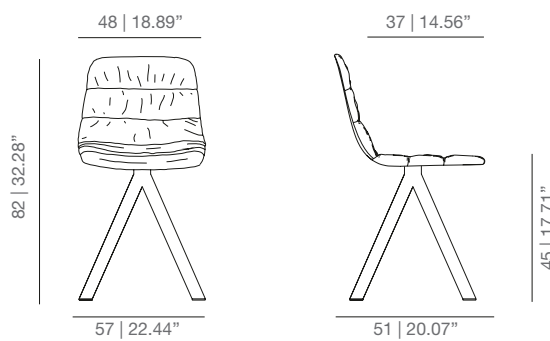


SOFT UPHOLSTERY CHAIR

MAA4P four legs base soft upholstery



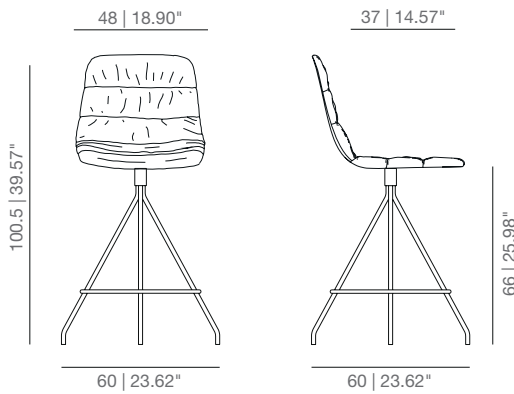
MAA swivel base soft upholstery
MAAM swivel wood base soft upholstery



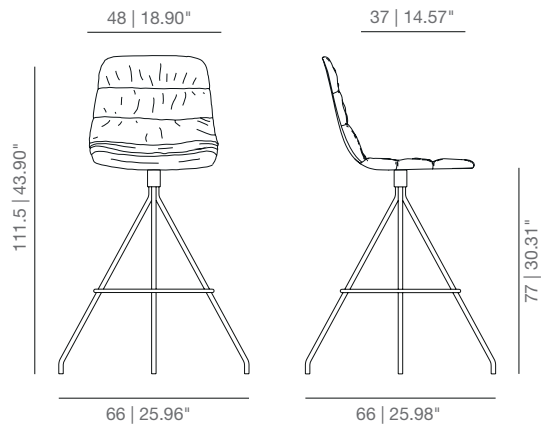
DIMENSIONS

SOFT UPHOLSTERY CHAIR

MAA4P swivel counter stool soft upholstery



MAATBAR swivel bar stool soft upholstery

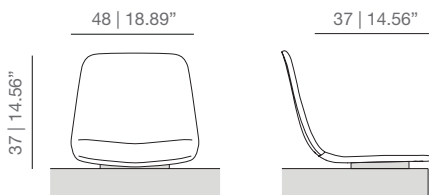


CHAIR ACCESSORIES

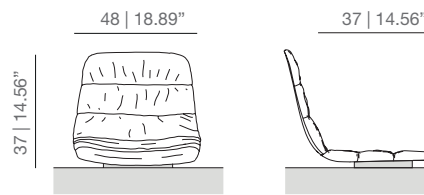
AUDITORIUM BASE

Base in calibrated powder coated steel in thermoreinforced polyester in grey, with 3D curved plywood covered by expanded polyurethane foam with a soft or smooth finish, suitable for large surfaces.

MAALAU auditorium base smooth upholstery



MAAAU auditorium base soft upholstery

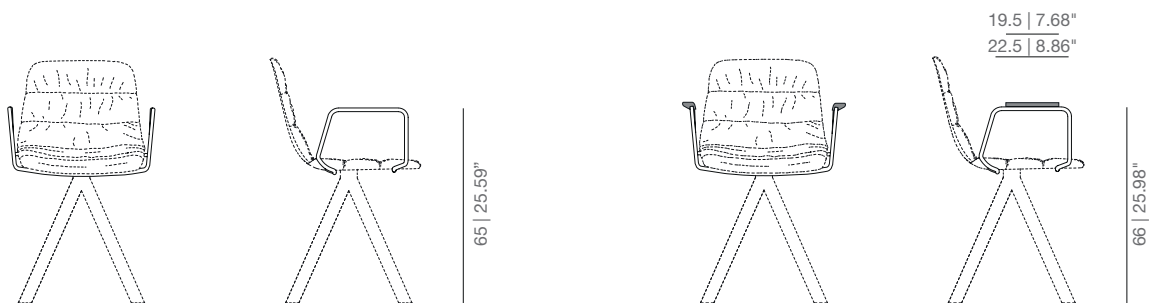


MAB arms

Calibrated steel arms powder coated in thermoreinforced polyester. Arms available for all bases and seats.

MAABRM wooden arms

Calibrated steel arms powder coated in thermoreinforced polyester in black, sand, altea blue or flourescent orange, with natural oak armrests stained with the finishes of our collection. Arms available for all bases and seats.



TECHNICAL INFO

3D curved plywood covered by expanded polyurethane foam with a smooth finish.

3D curved plywood covered by expanded polyurethane foam with a soft finish.

Different options for the base:

FOUR LEGS BASE: Calibrated steel structure powder coated in thermoreinforced polyester. Stackable up to 4 units.

SWIVEL BASE: Calibrated steel swivel structure powder coated in thermoreinforced polyester.

SWIVEL WOOD BASE: Calibrated steel swivel structure finished with oak veneer.

SWIVEL STOOL: Calibrated steel swivel structure powder coated in thermoreinforced polyester.

FINISHES

UPHOLSTERY

Check upholstery samples.

STRUCTURE | ARMS

Lacquered



White
RAL 9003



Black
RAL 9005



Altea Blue
RAL 5000



Sand
NCS 3005Y50R



Fluorescent Orange
RAL 2005

Stained



Matt
oak



Wenge



Cognac



Ash

CERTIFICATE

Swivel base chair

UNE EN 16139:13

Four legs base chair

ANSI BIFMA X5.1-2011

Swivel base chair with arms

UNE EN 15373:07





PROJECTS

AA Residence | Progetti | L'Antic Colonial Showroom | Willy Ramos Art Studio | DE House | Caro Hotel | Showrrom Sydney | Cosín Studio | Molino Real | Buro Modern | Penthouse JOYU | Residential MOB 01 | Residential MOB 02 | Residential MOB 03 | Hub Showroom | Buro Modern | G.V House | Interiors INC | Auditorio y Palacio de Congresos de Castellón | Wild Valencia |